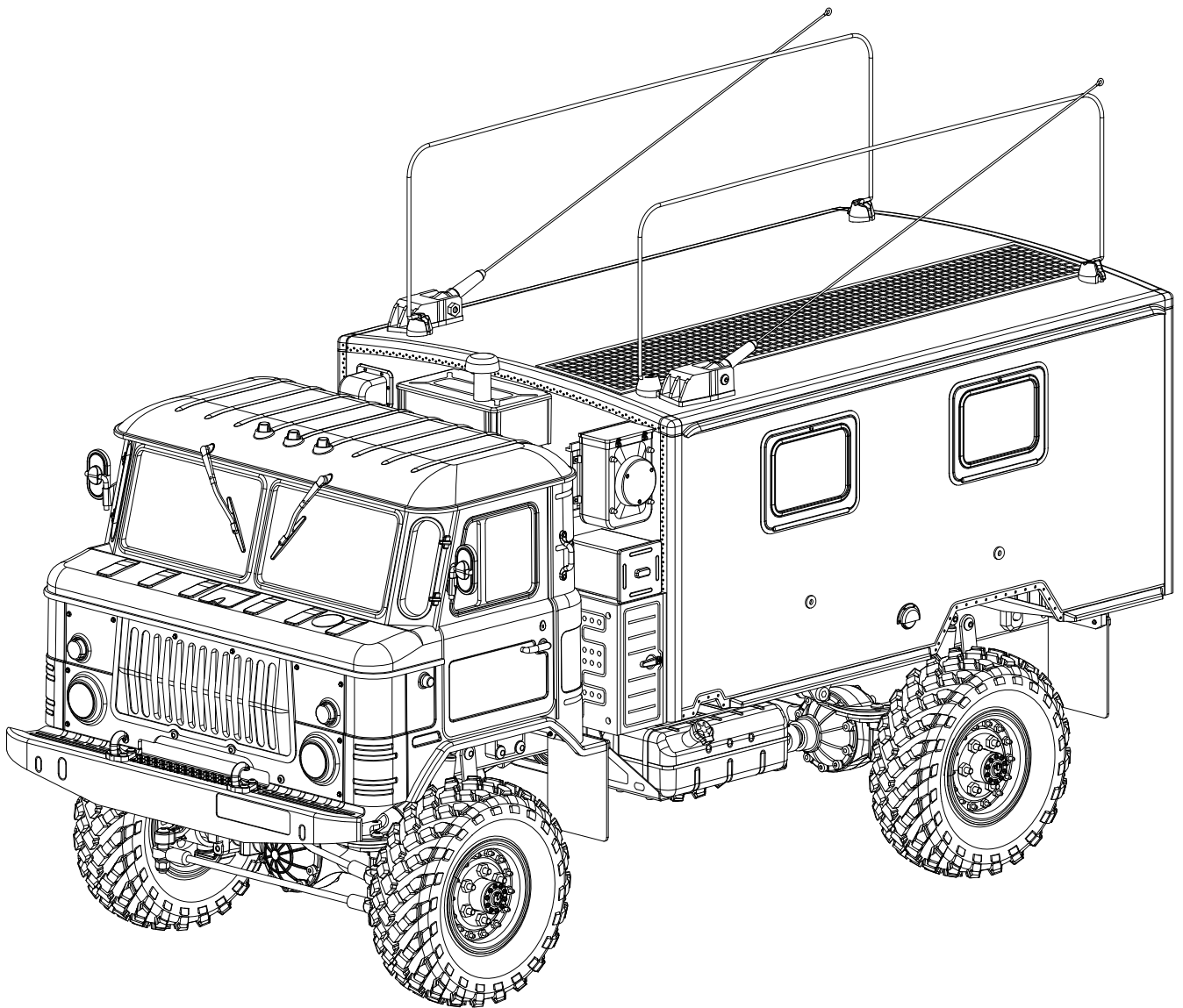


# GC4M

## BODY KIT



**CAUTIONS**



To prevent serious personal injury and/or property damage, operate all remotely controlled models in a responsible manner as outlined herein.

**● Safety Precautions**

- 1.1 Choose a right place to operate your RC model.
- 1.2 Do not operate your RC model on the street or highway. It can cause a serious damage or a serious accident.
- 1.3 Never operate your RC model near people or animals.
- 1.4 Do not operate RC model in public places like hospital and residential areas.
- 1.5 Never operate RC model indoors. There is a higher possibility of fire or damage.
- 1.6 Keep the parts out of reach of children, small parts can cause choking and vinyl bags can suffocate.
- 1.7 Do not use with children younger than 14 years.

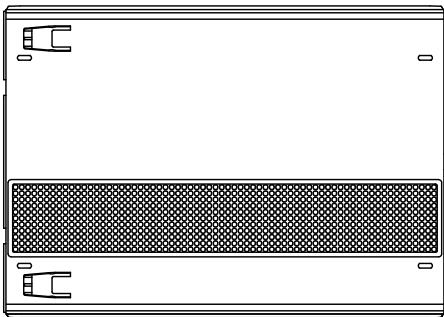
**● Inspect your RC model before operation**

- 2.1 Make sure that all screws and nuts are properly tightened. It is also a good idea to use removable thread lock wherever metal screws go into metal, especially for engine mounts and the engine pilot shaft.
- 2.2 Always use fresh batteries for your transmitter and for your receiver to avoid losing control of the model.
- 2.3 Always test the brakes and throttle before starting your engine to avoid losing control of the model.
- 2.4 Always turn on the transmitter first, and then turn on the receiver.

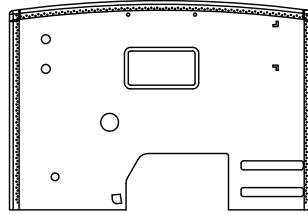
**● After operation of your RC model**

- 3.1 Turn off receiver first, then turn off transmitter, this will prevent runaways.
- 3.2 Be careful when handling batteries, they will be hot after running.
- 3.3 Replace any batteries that have been dented or have frayed wires, short circuits can cause fire.

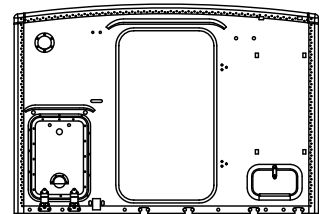
**PLANK**



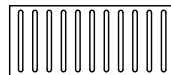
27701 X1



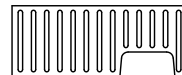
27702 X1



27703 X1

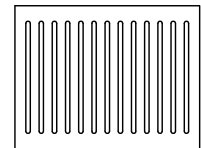


63004 X2

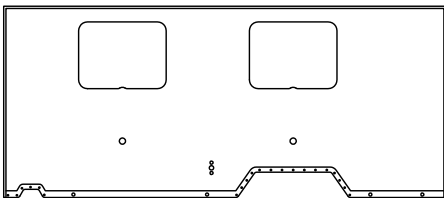


63005 X1

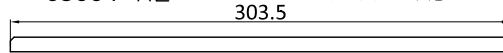
303.5



63006 X1

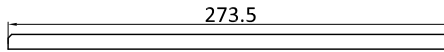


63001 X1



63007 X1

273.5



63008 X1



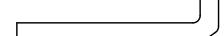
63009 X3



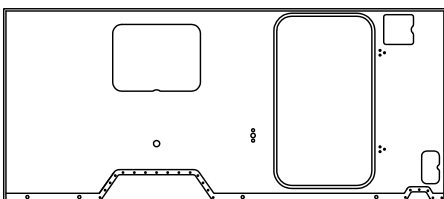
63010 X6



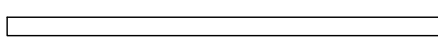
63011 X2



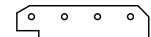
63012 X4



63002 X1



63013 X2



63014 X2



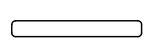
42108 X1



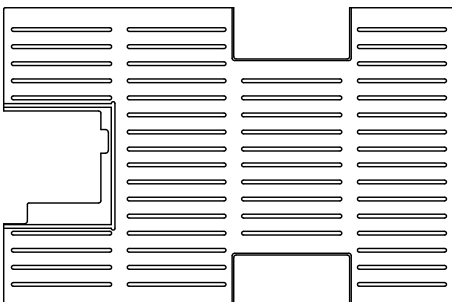
62033 X4



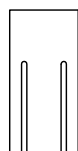
62025 X4



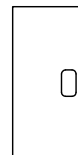
62040 X2



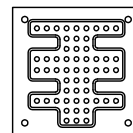
63003 X1



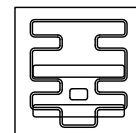
63015 X2



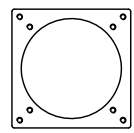
63016 X1



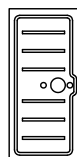
62034 X1



62035 X1



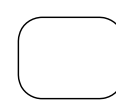
62036 X1



62037 X1



62105 X3



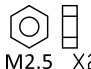
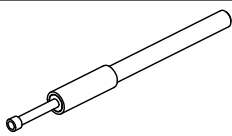
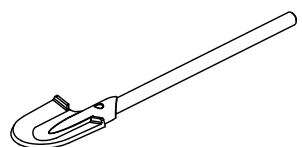


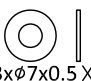





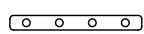


62106 X2

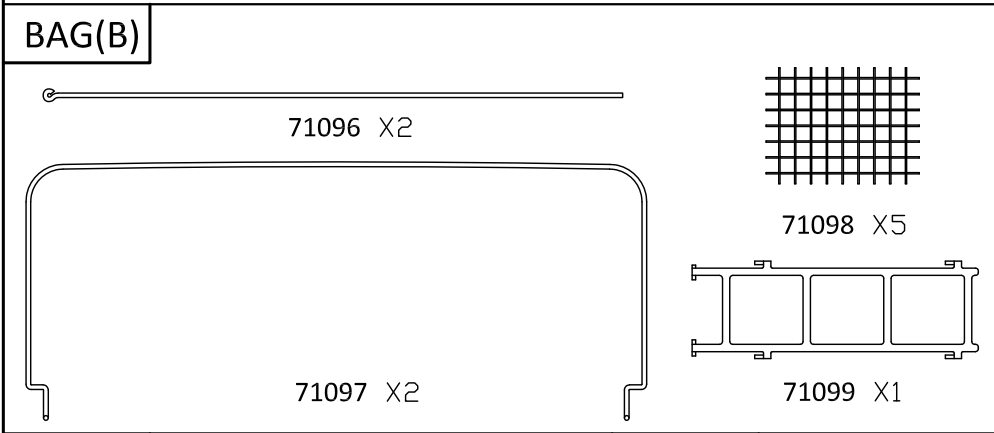


62107 X1

**BAG(A)**

11207  M3x10 X5	11801  ST1.4x6 X2	12105  M2.5 X2	 95024 X1	 95026 X1
11216  M2.5x6 X4	11802  ST1.4x4 X24	14102  $\phi 3 \times \phi 7 \times 0.5 \times 7$	 95025 X4	 50022 X2
11222  M2.5x18 X2	12001  M2x6 X8	17002  $\phi 6 \times \phi 2.4 \times 1.8 \times 2$	 62032 X2	

**BAG(B)**



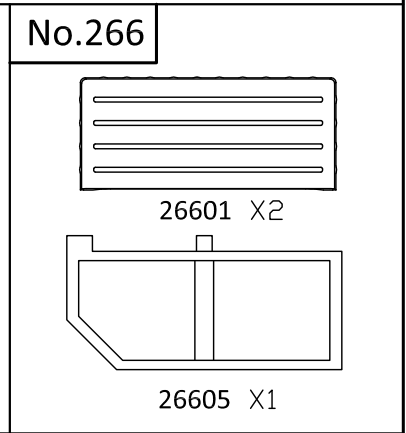
71096 X2

71097 X2

71098 X5

71099 X1

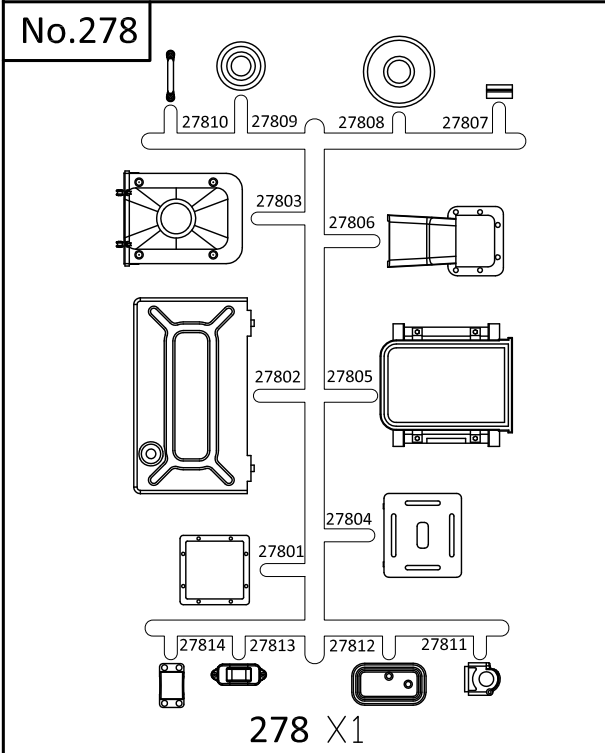
**No.266**



26601 X2

26605 X1

**No.278**



27810 27809 27808 27807

27803 27806

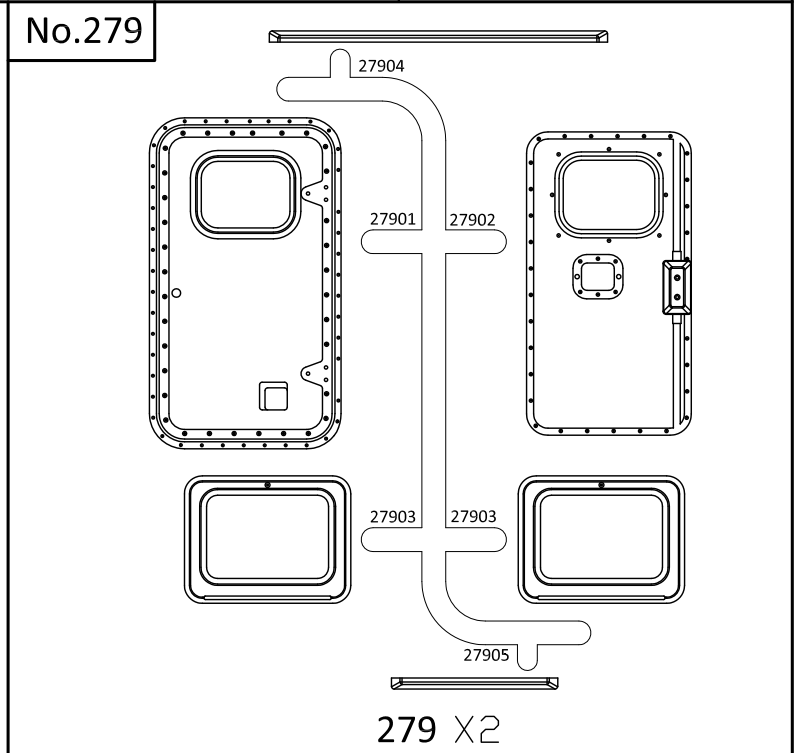
27802 27805

27801 27804

27814 27813 27812 27811

278 X1

**No.279**



27904

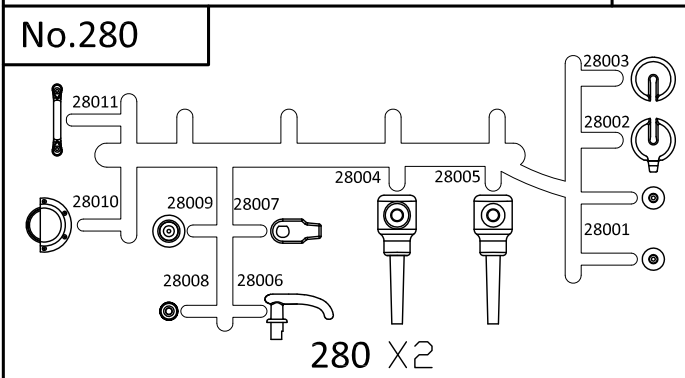
27901 27902

27903 27903

27905

279 X2

**No.280**



28011

28010 28009 28007

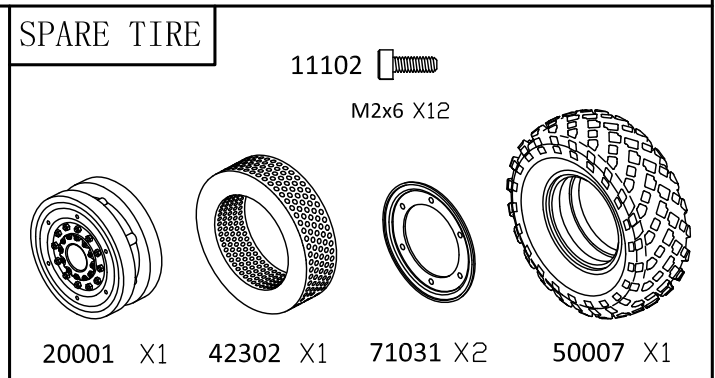
28008 28006

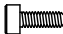
28004 28005

28003 28002 28001

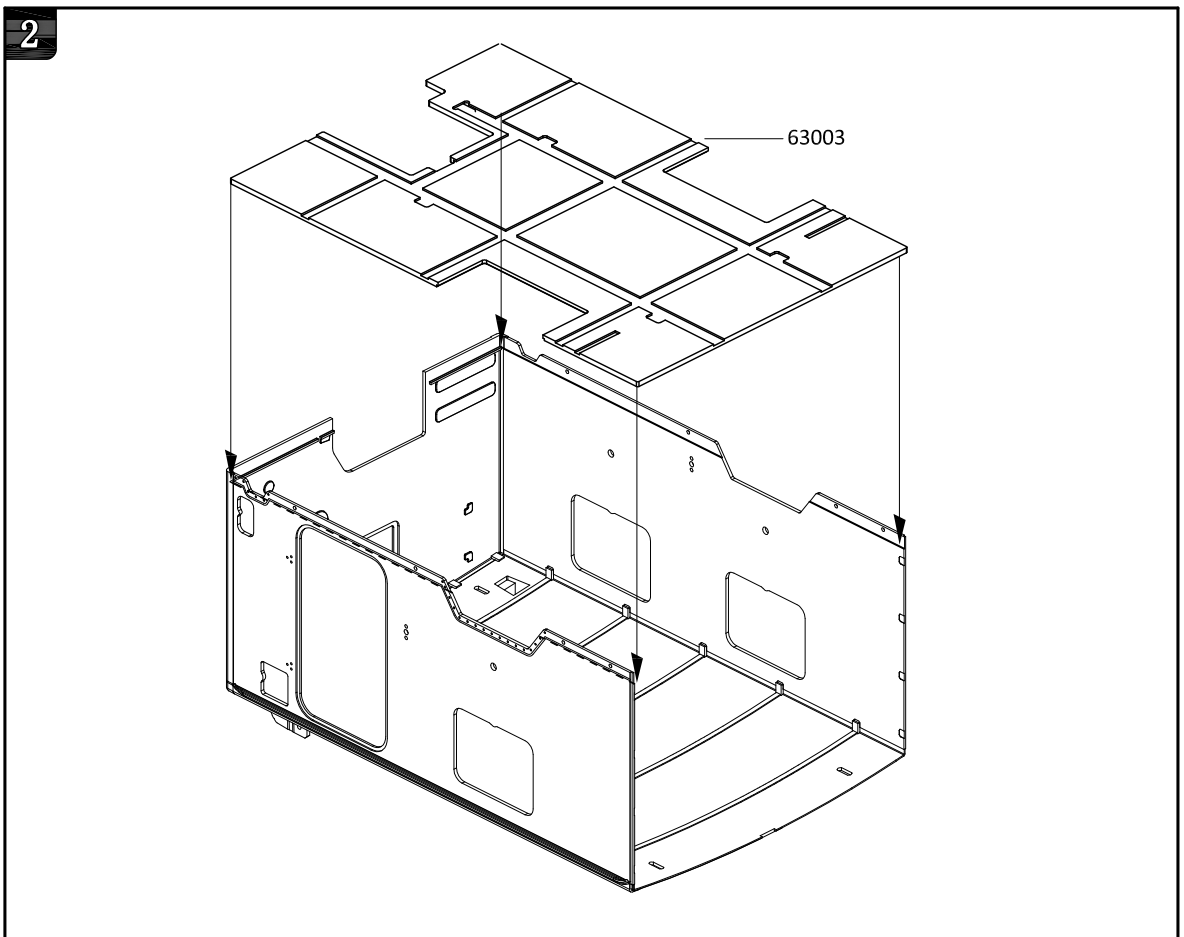
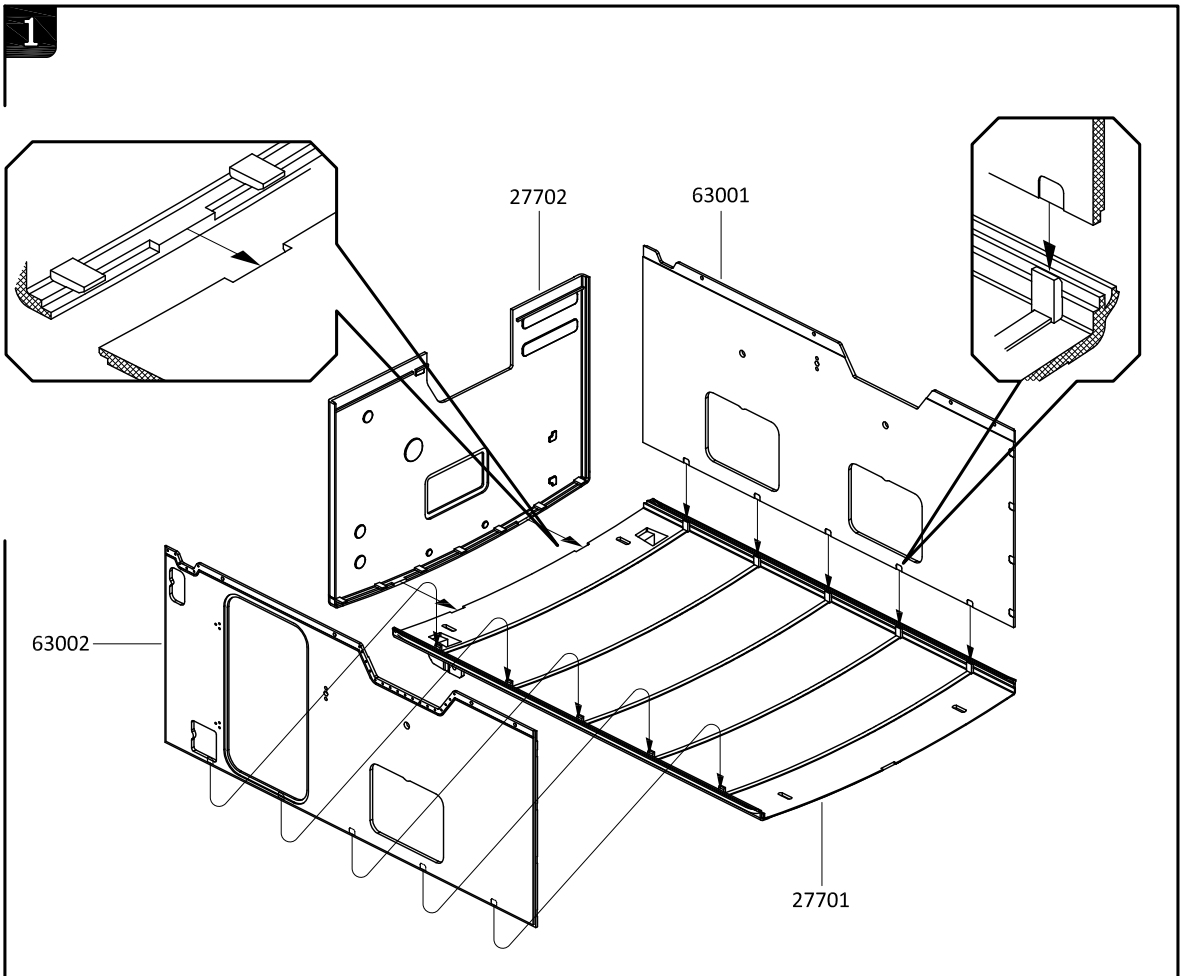
280 X2

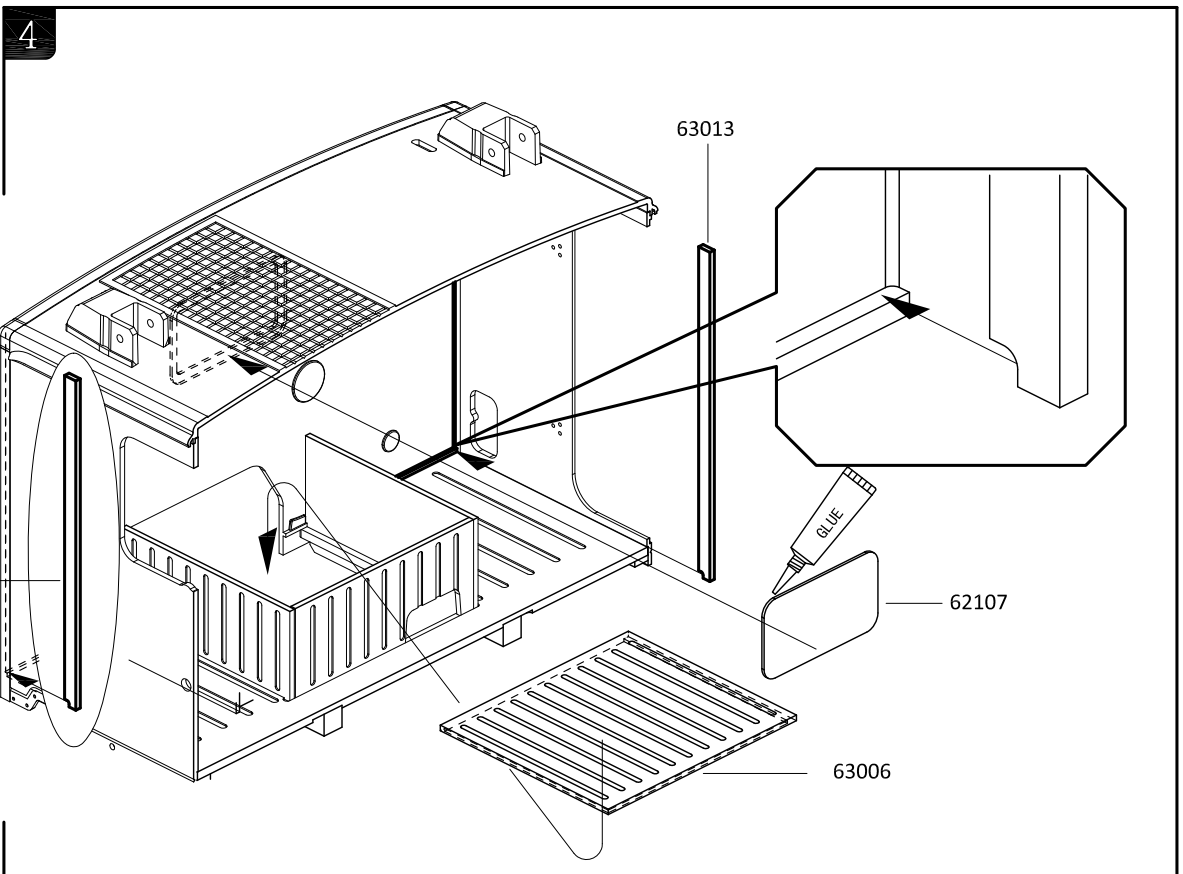
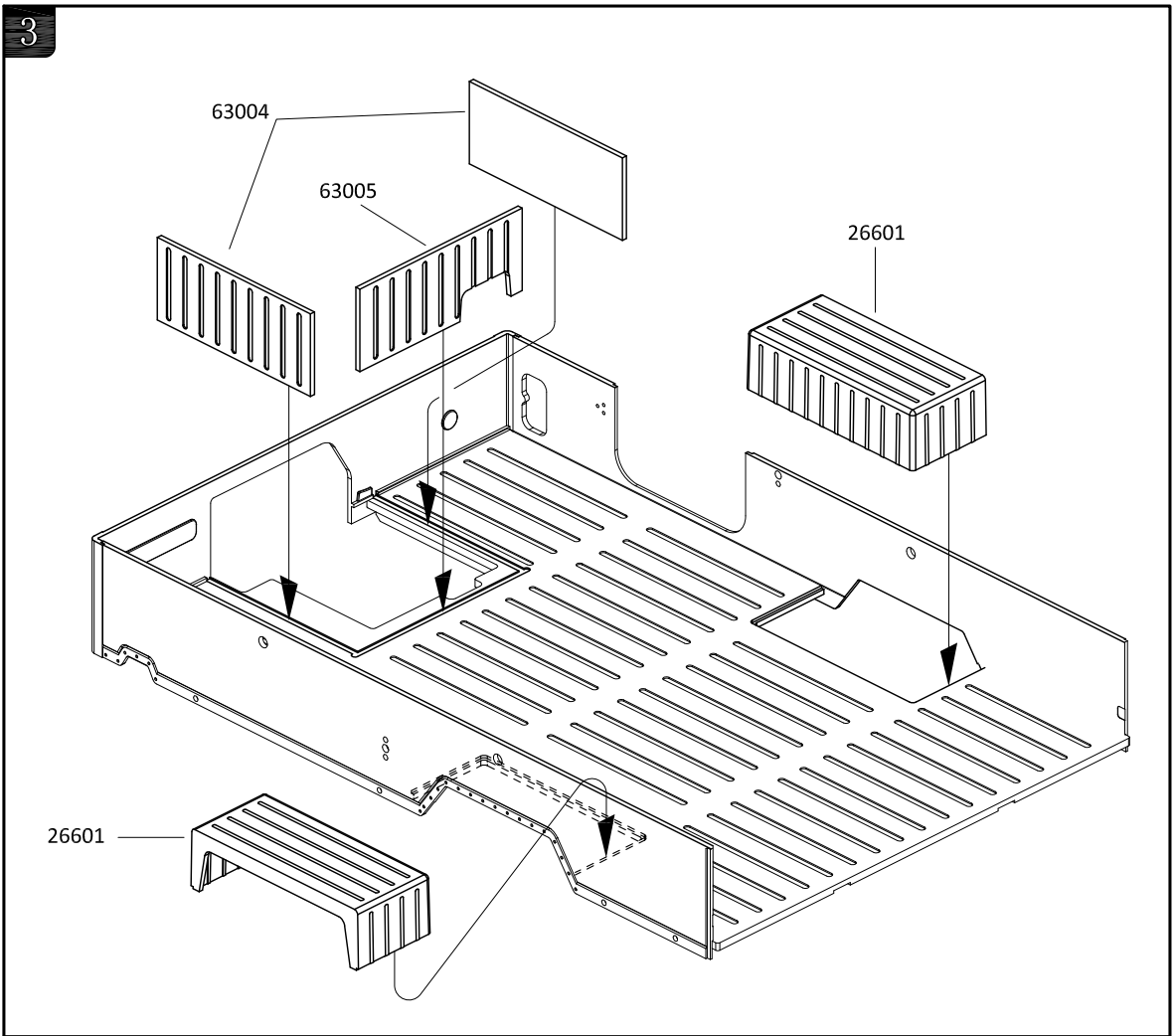
**SPARE TIRE**

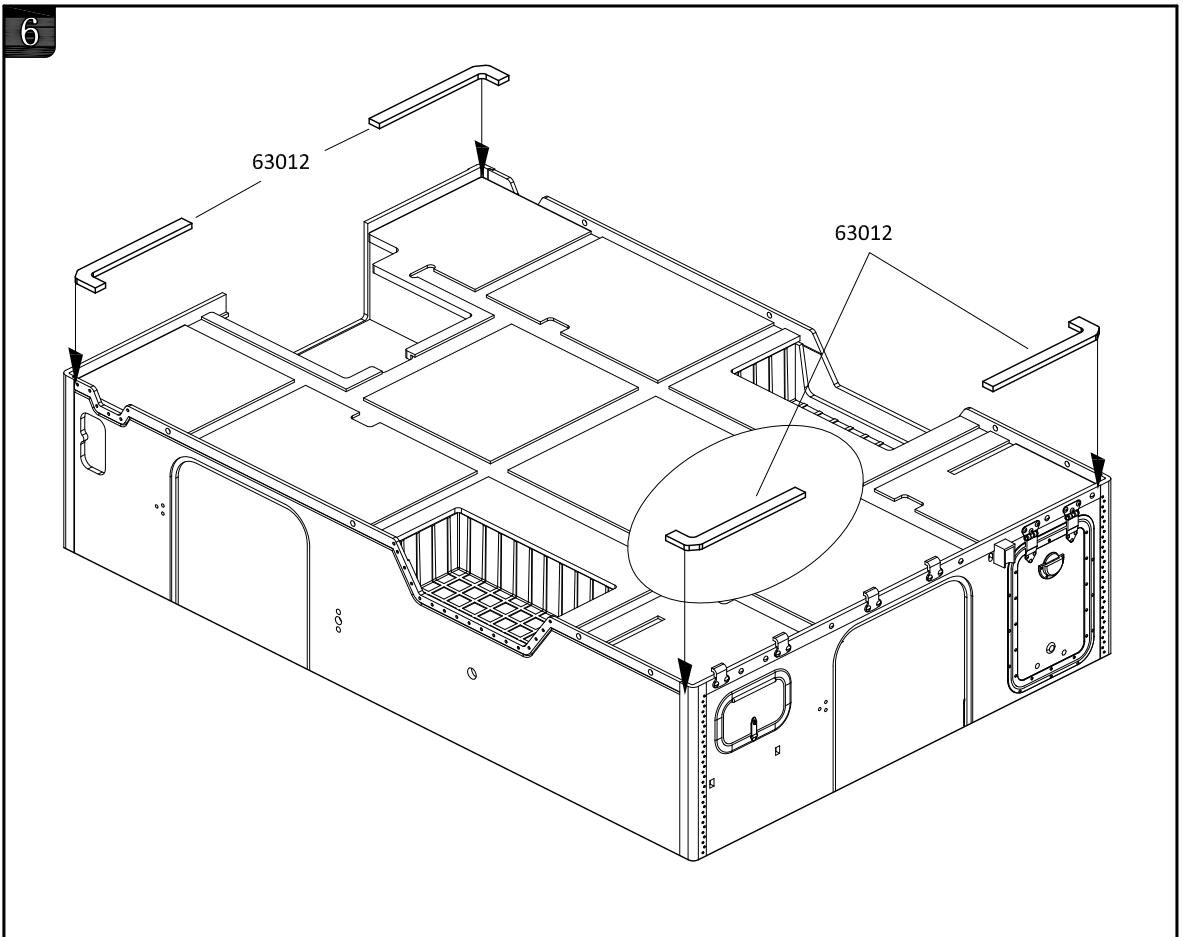
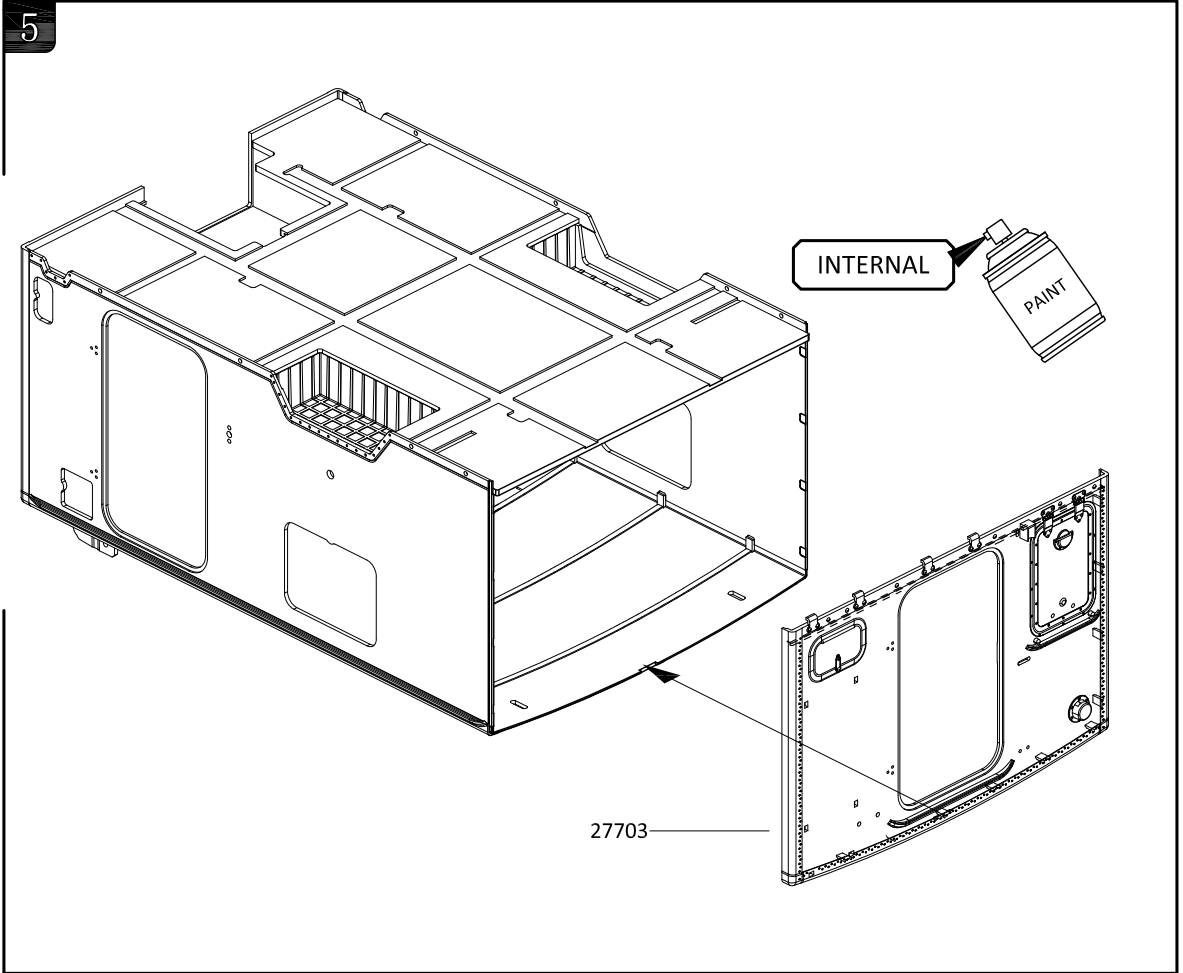


11102  M2x6 X12

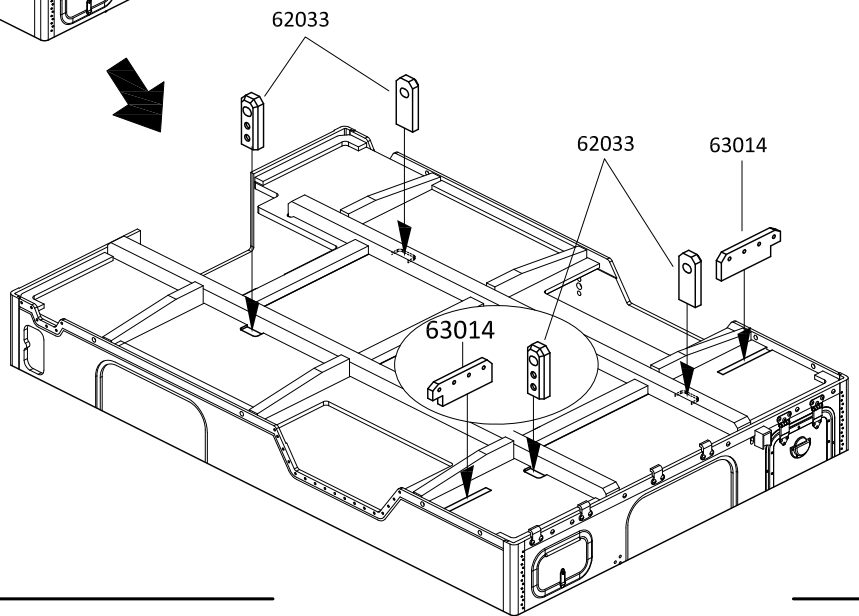
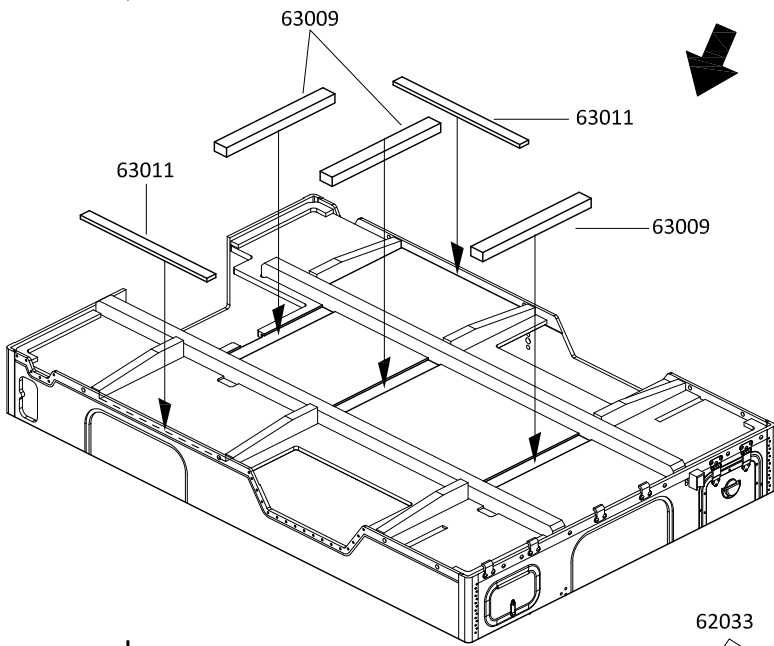
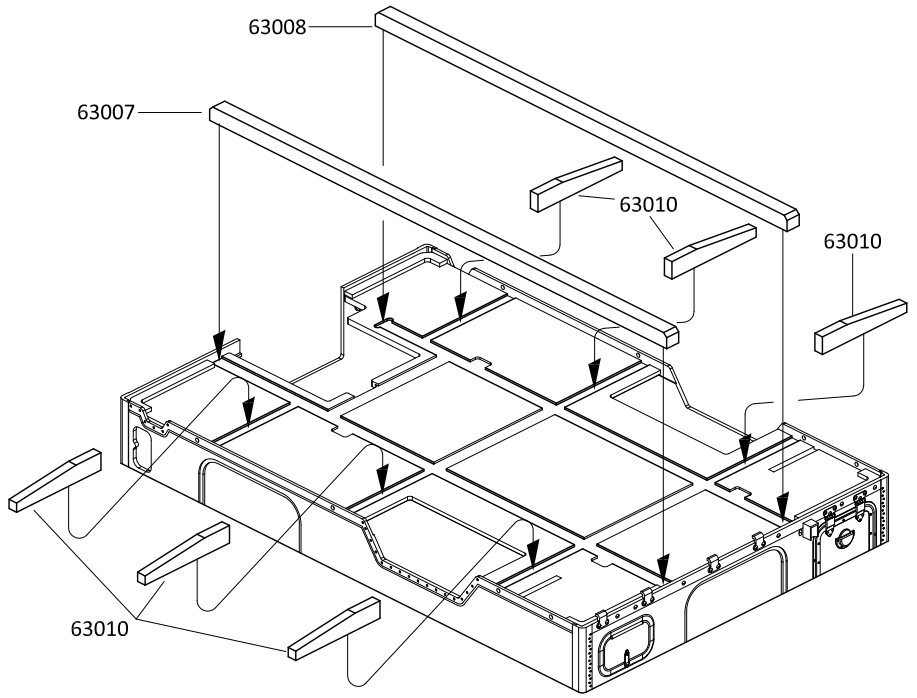
20001 X1 42302 X1 71031 X2 50007 X1

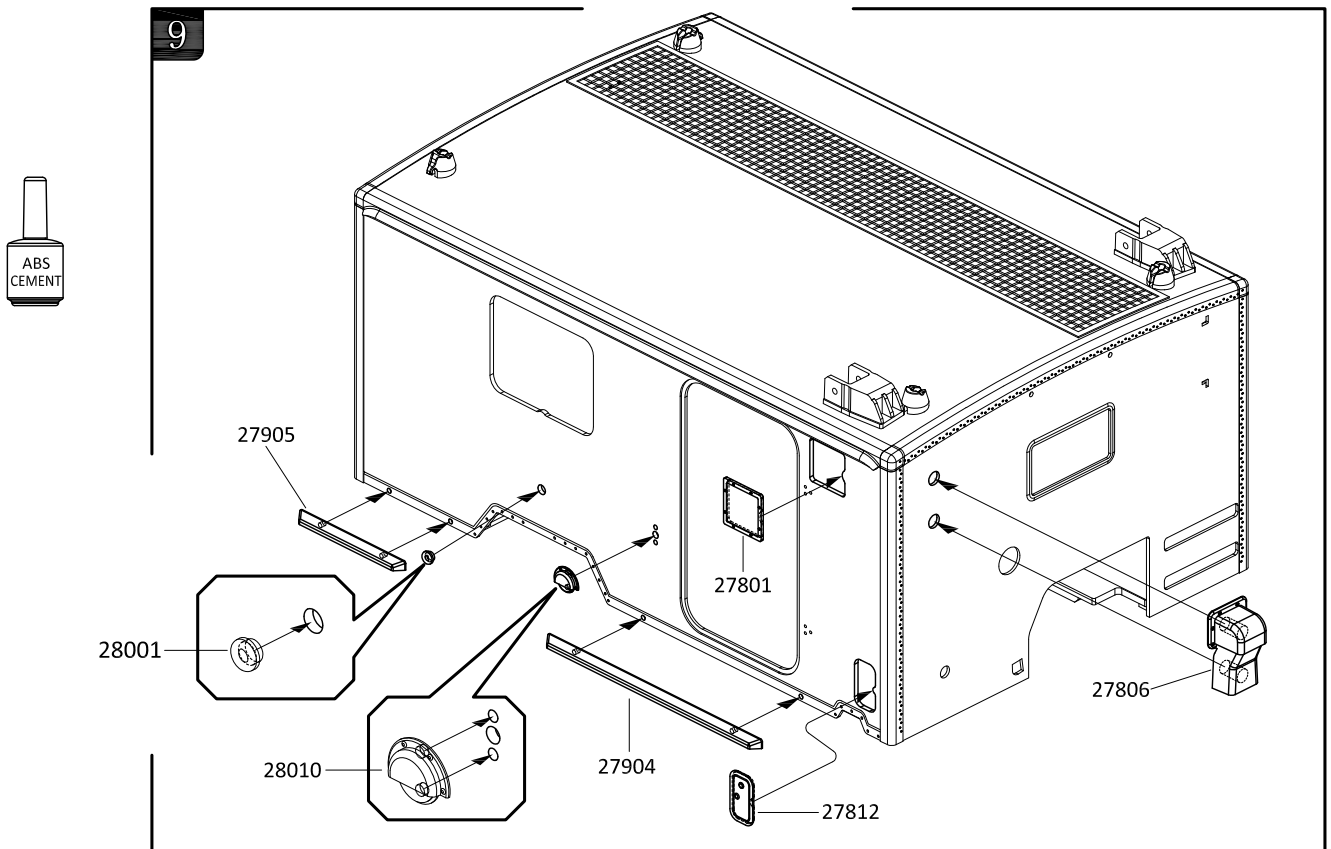
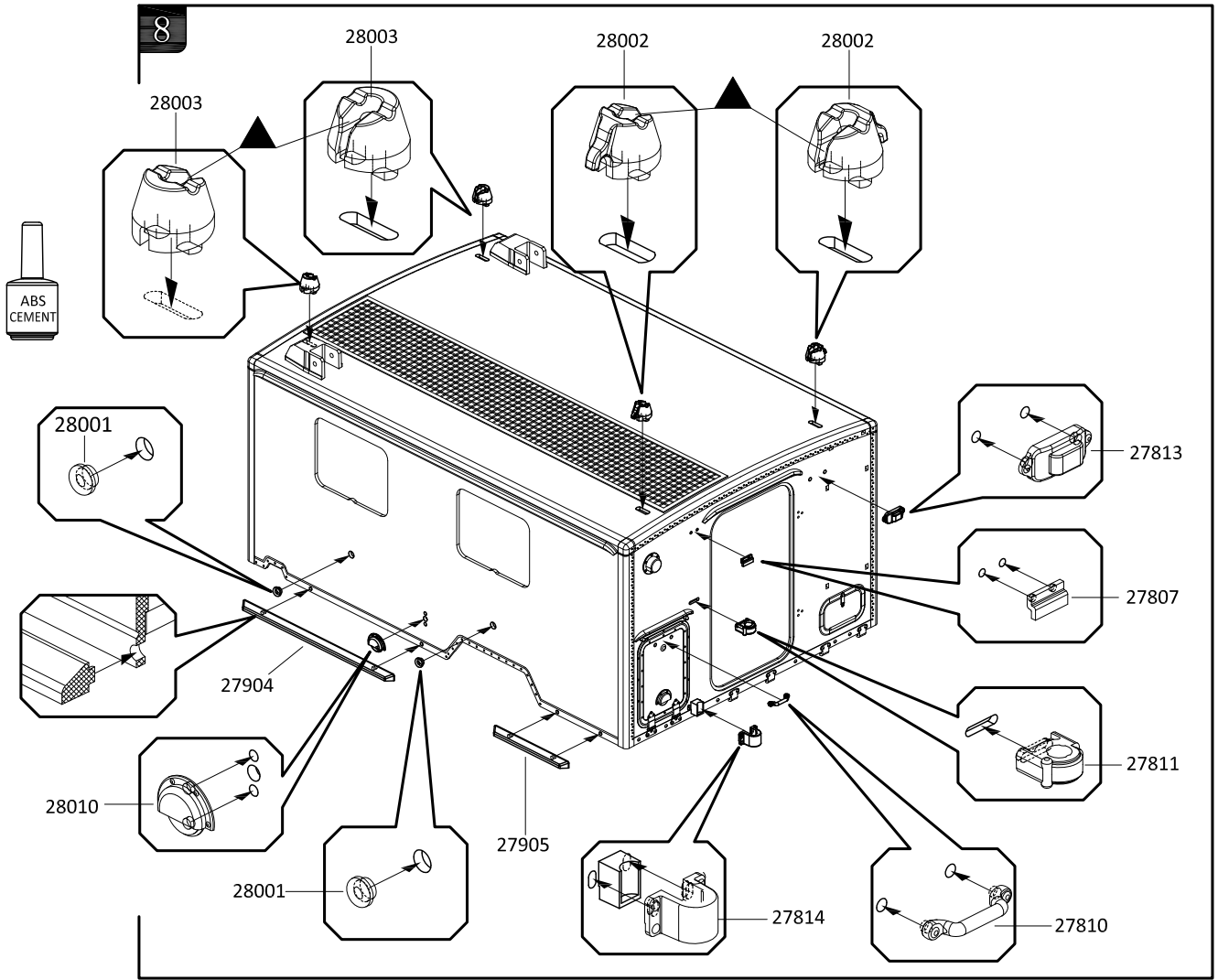






7

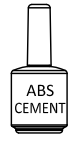




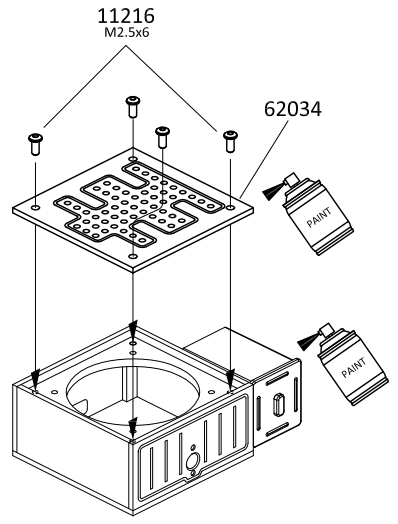
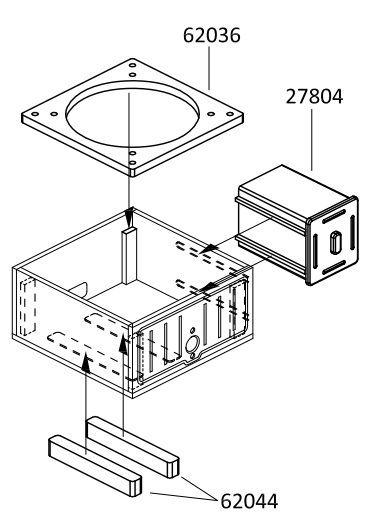
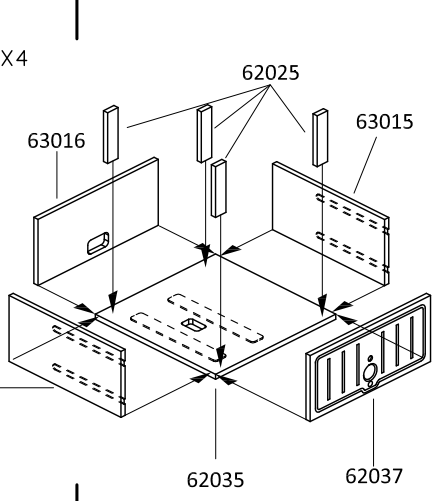


10

11216  
M2.5x6 X4



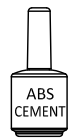
63015



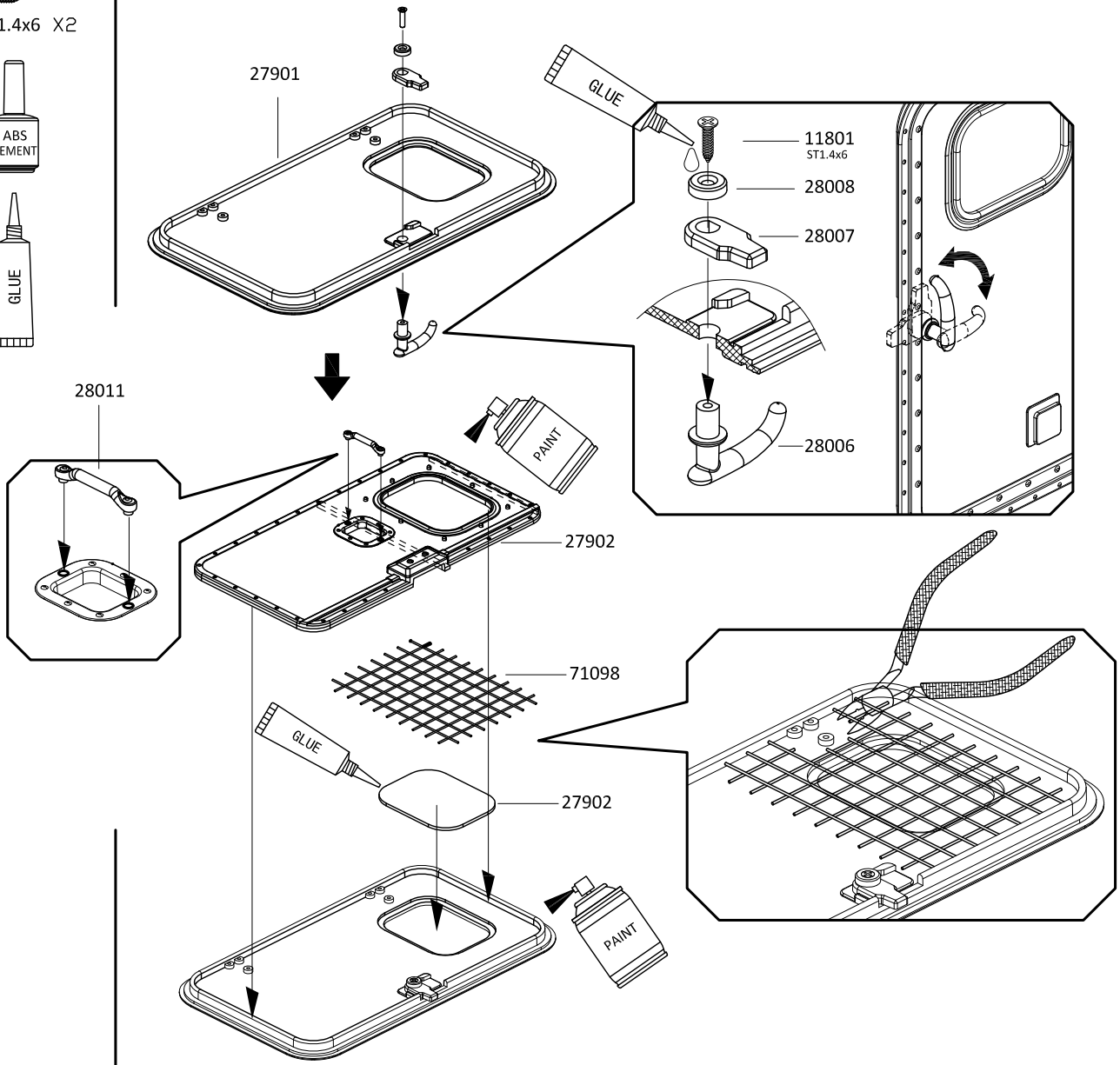
11

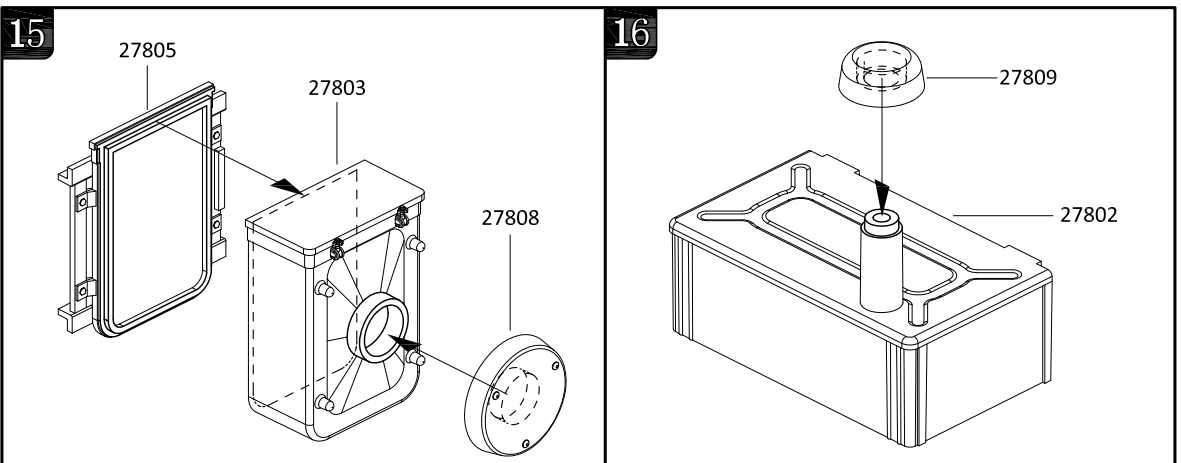
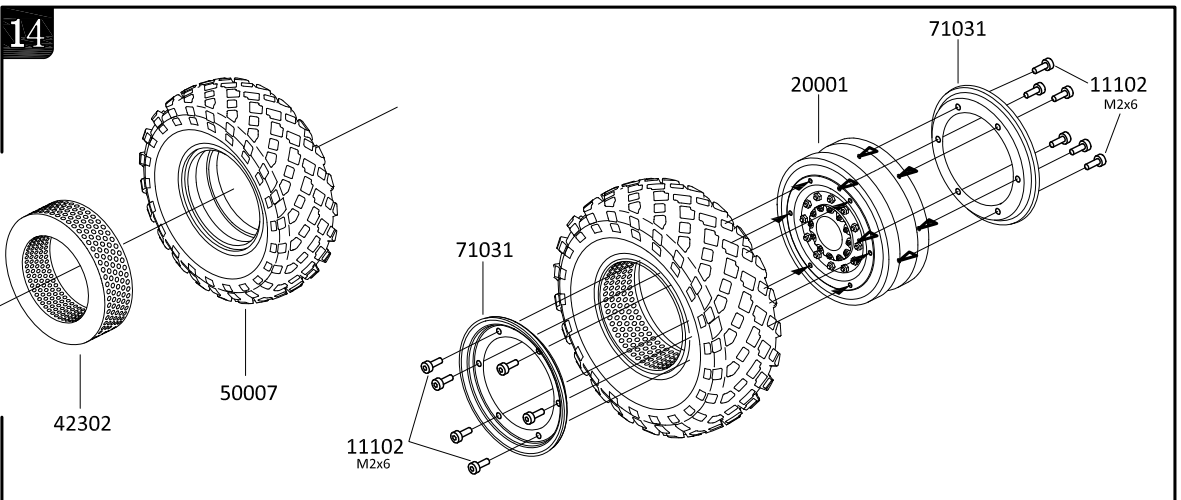
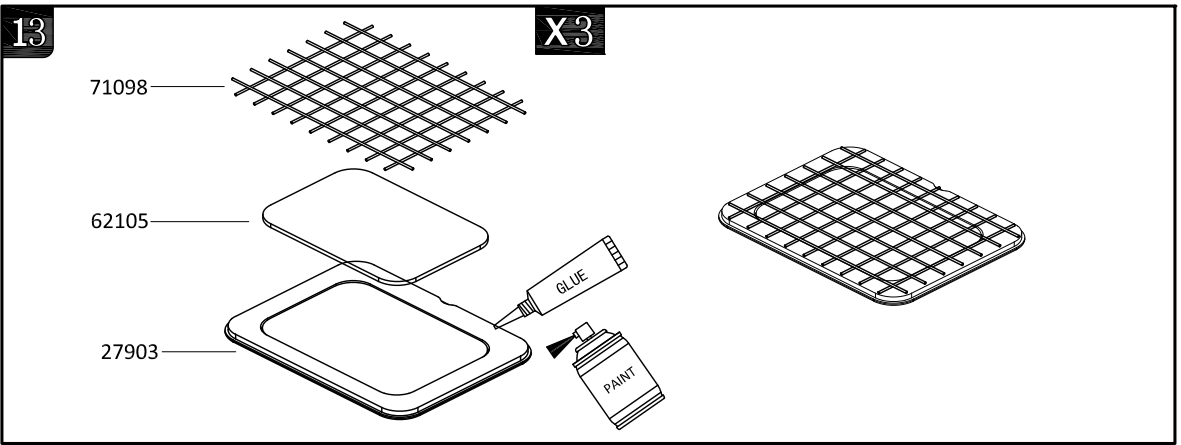
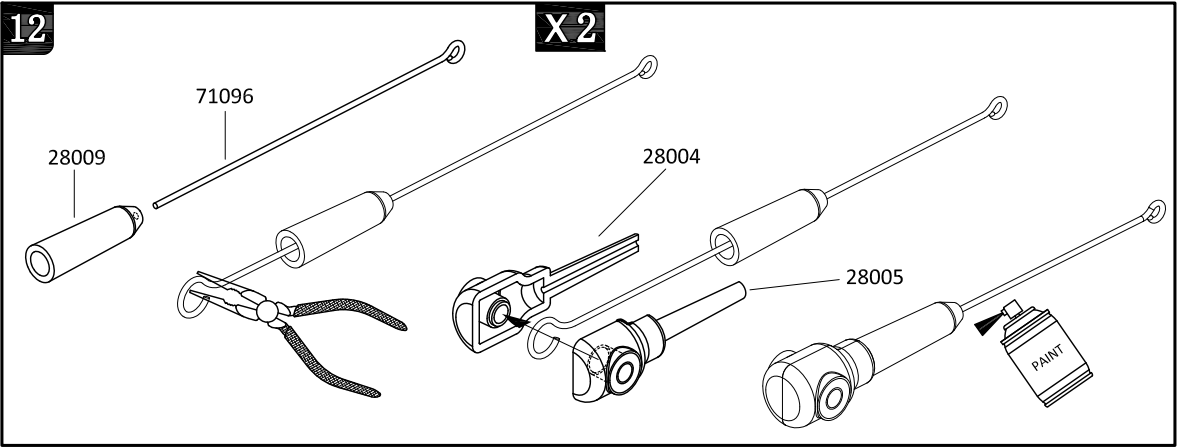
X 2

11801  
ST1.4x6 X2

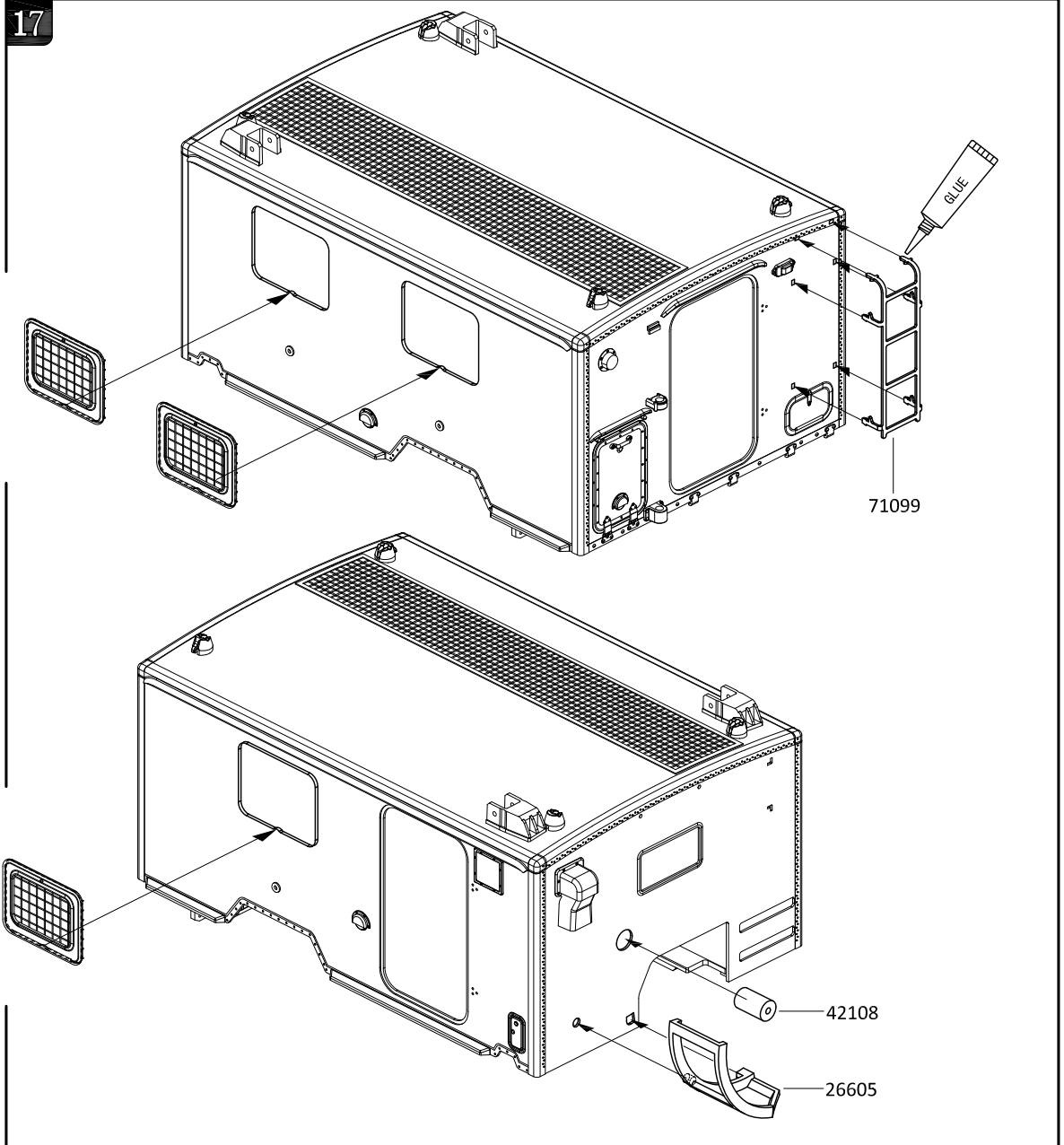
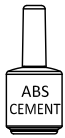


GLUE

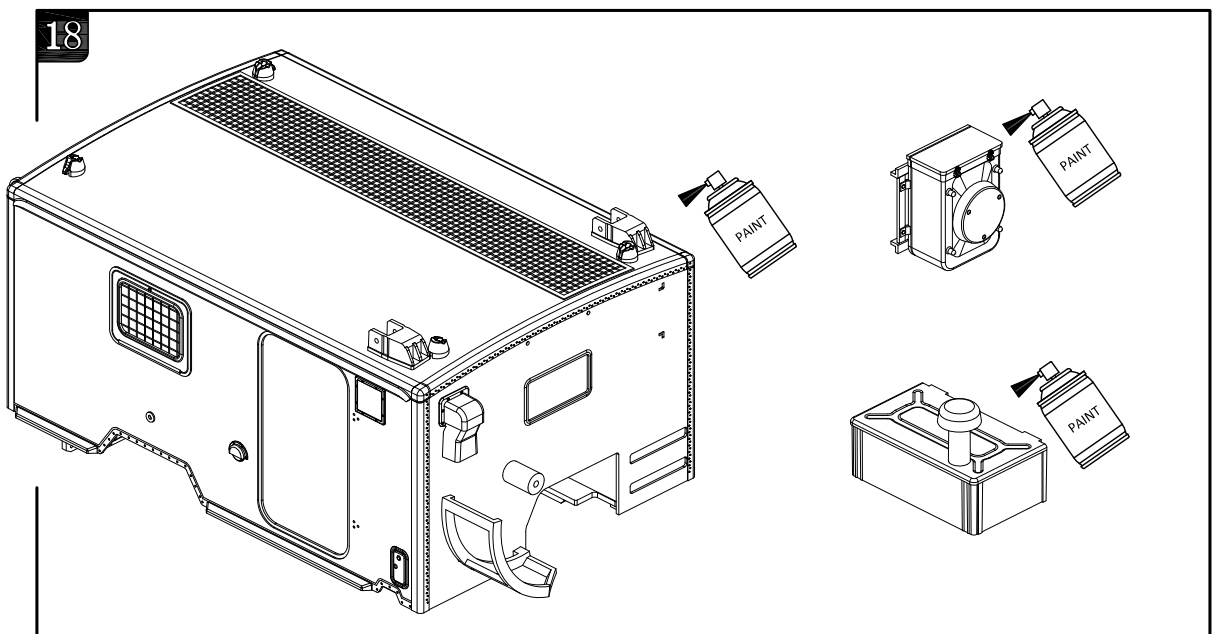





17




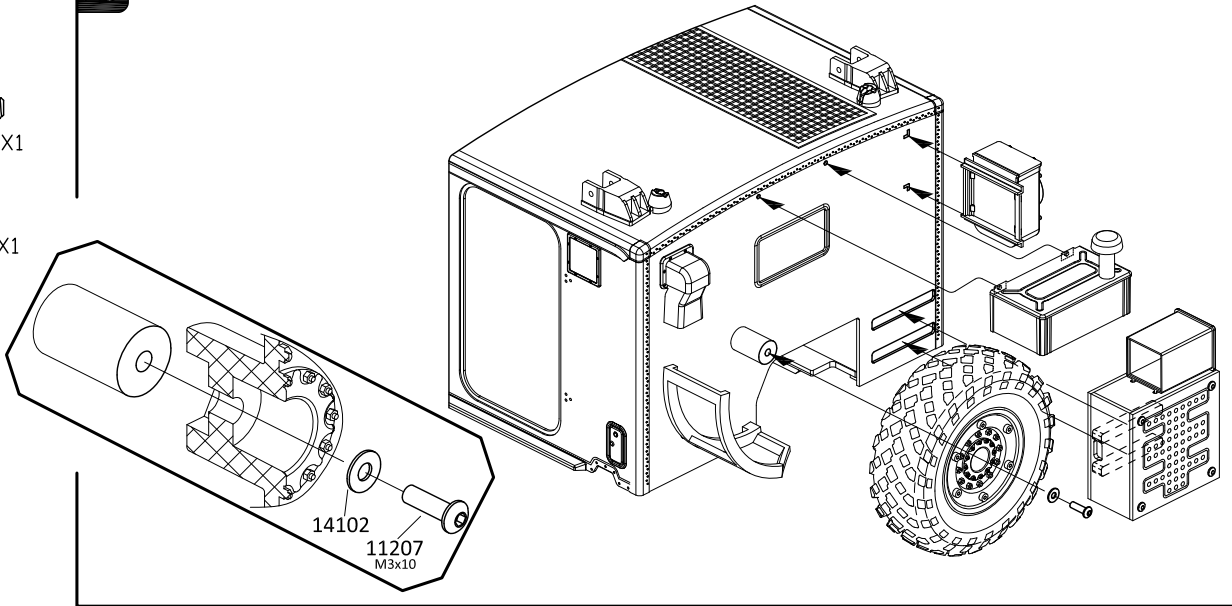
18



19

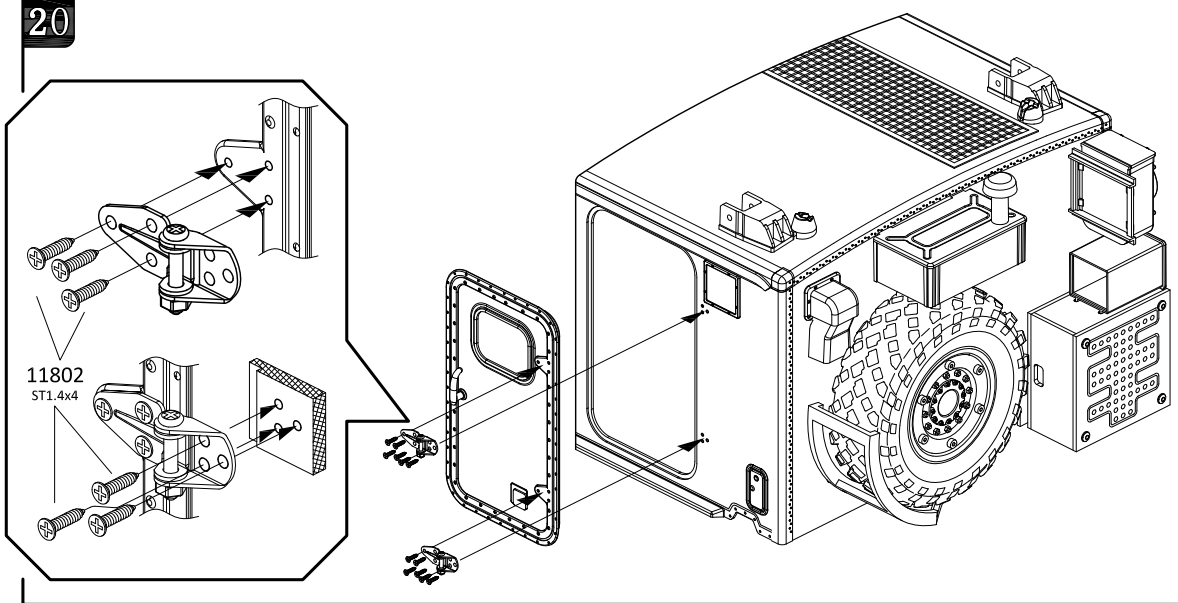
11207  M3x10 X1

14102   $\phi 3 \times \phi 7 \times 0.5 \times 1$




20

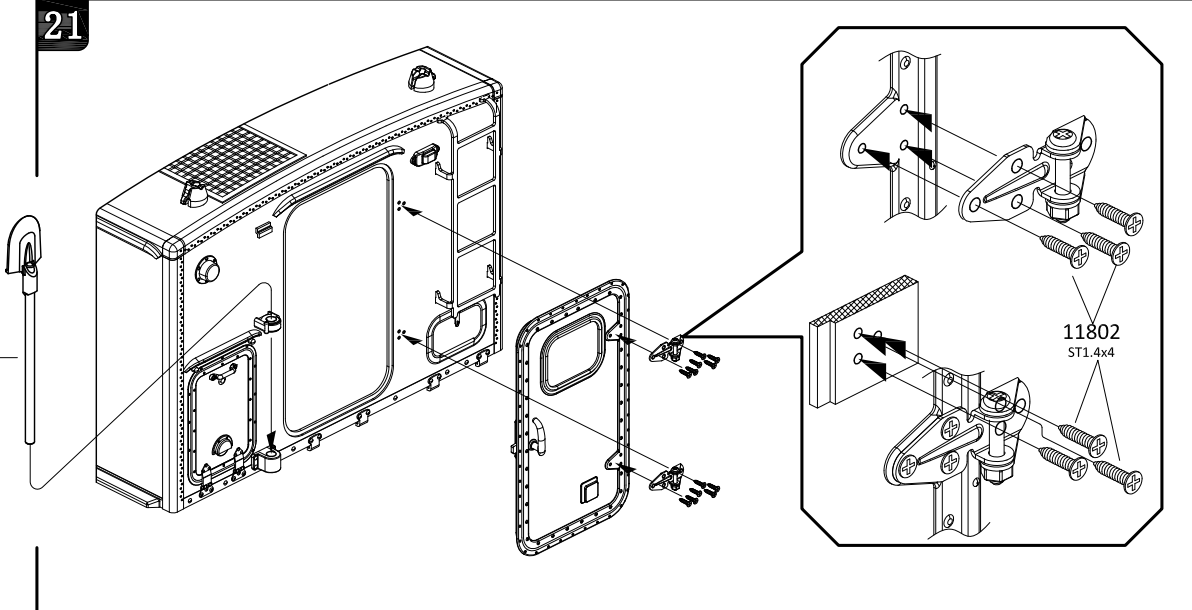
11802  ST1.4x4 X12




21

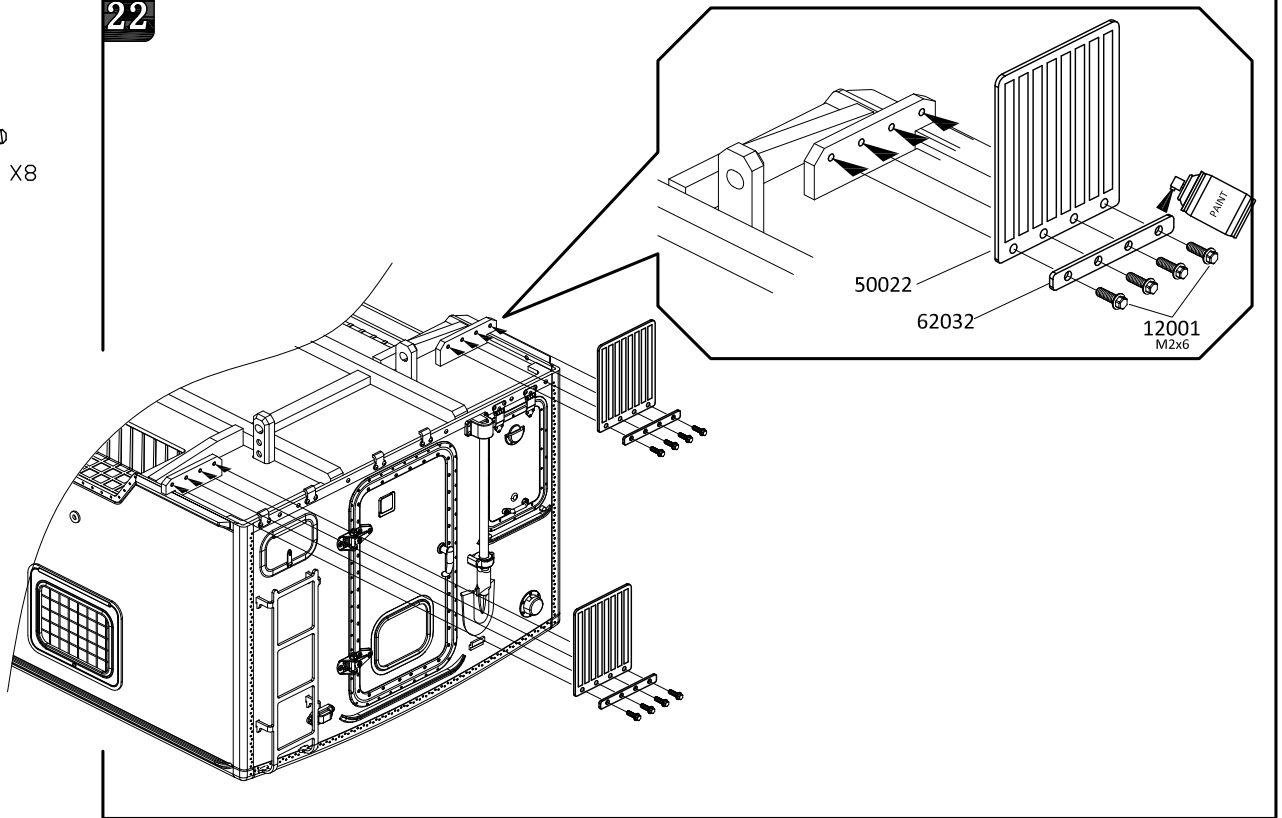
11802  ST1.4x4 X12

95026 



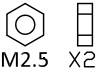
22

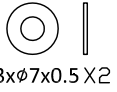
12001   
M2x6 X8

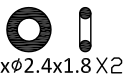


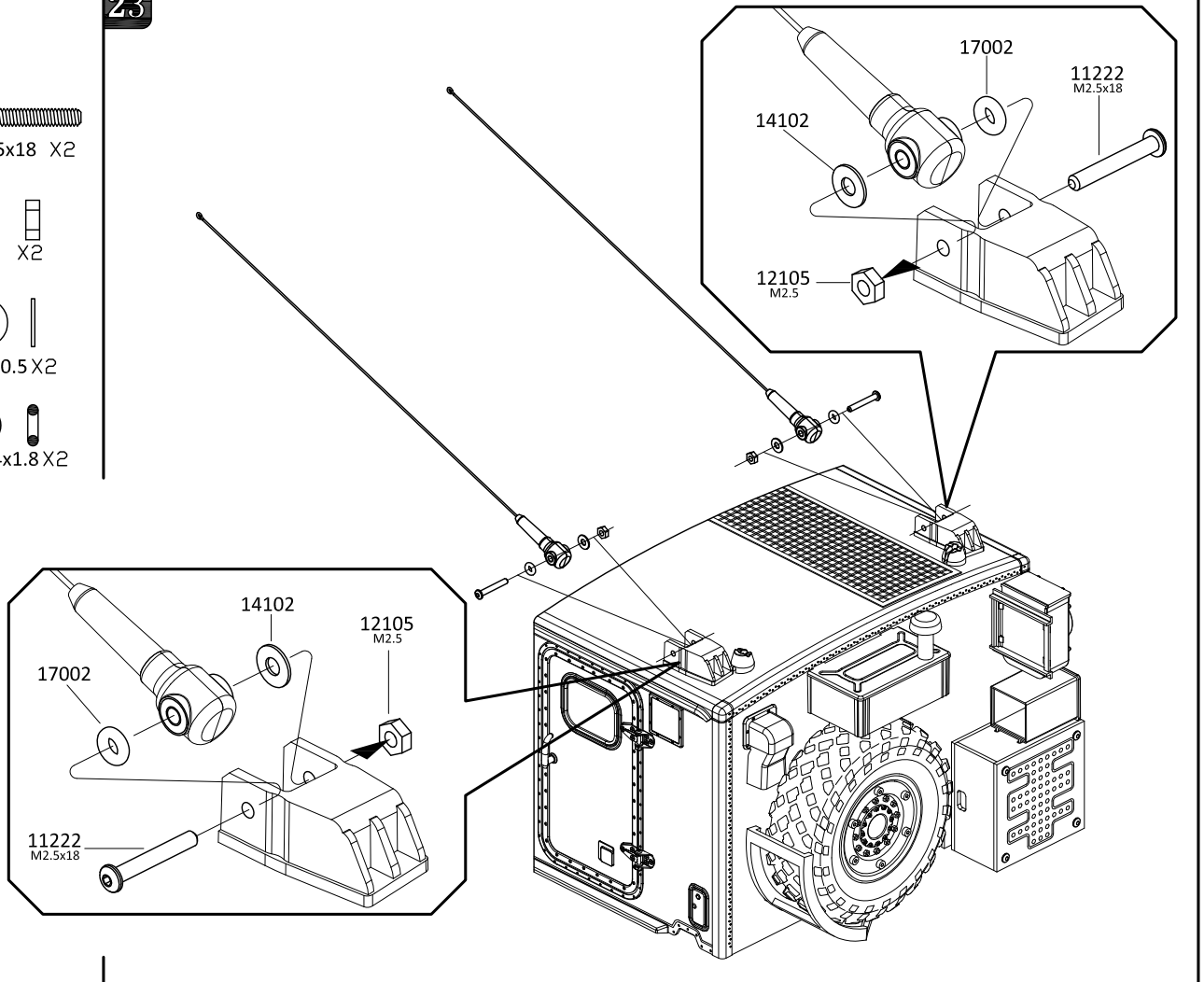
23

11222   
M2.5x18 X2

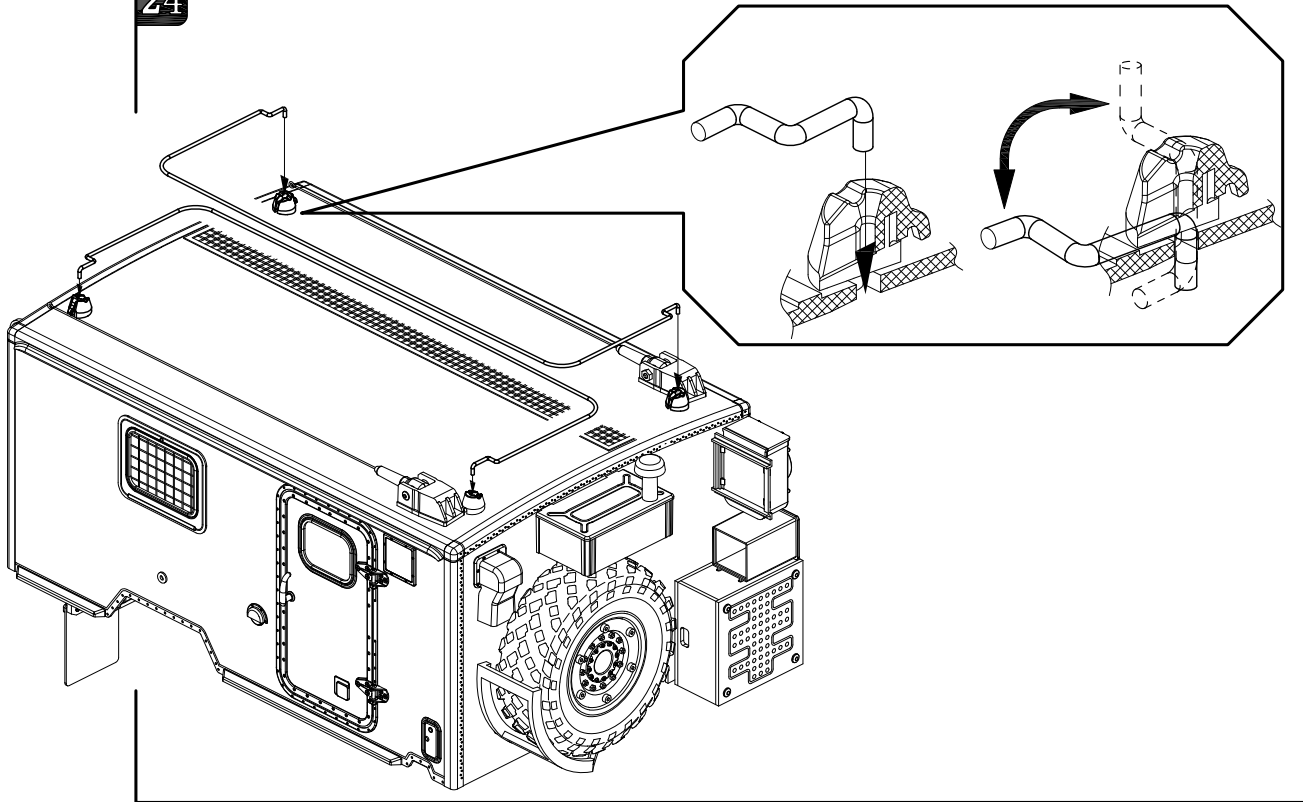
12105   
M2.5 X2

14102   
ø3xø7x0.5 X2

17002   
ø6xø2.4x1.8 X2



24



25

11207



M3x10 X4

14102



Ø3xØ7x0.5 X4

