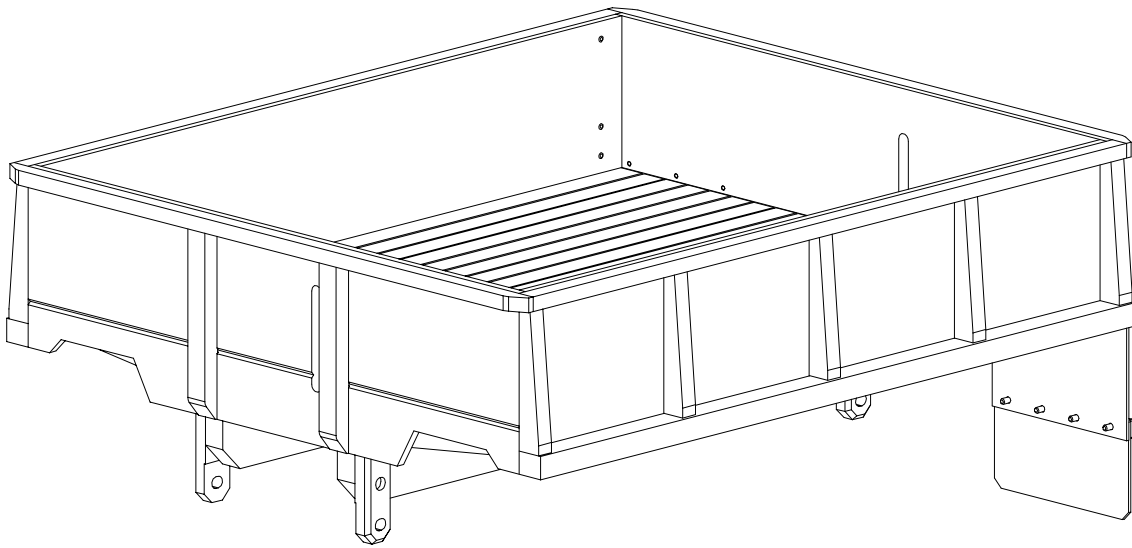


# BC8

## BODY KIT



## CAUTIONS



To prevent serious personal injury and/or property damage, operate all remotely controlled models in a responsible manner as outlined herein.

### ◆ Safety Precautions

- 1.1 Choose a right place to operate your RC model.
- 1.2 Do not operate your RC model on the street or highway. It can cause a serious damage or a serious accident.
- 1.3 Never operate your RC model near people or animals.
- 1.4 Do not operate RC model in public places like hospital and residential areas.
- 1.5 Never operate RC model indoors. There is a higher possibility of fire or damage.
- 1.6 Keep the parts out of reach of children, small parts can cause choking and vinyl bags can suffocate.
- 1.7 Do not use with children younger than 14 years.

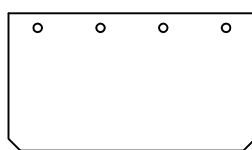
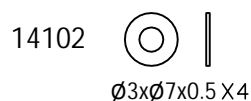
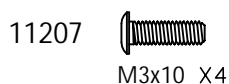
### ◆ Inspect your RC model before operation

- 2.1 Make sure that all screws and nuts are properly tightened. It is also a good idea to use removable thread lock wherever metal screws go into metal, especially for engine mounts and the engine pilot shaft.
- 2.2 Always use fresh batteries for your transmitter and for your receiver to avoid losing control of the model.
- 2.3 Always test the brakes and throttle before starting your engine to avoid losing control of the model.
- 2.4 Always turn on the transmitter first, and then turn on the receiver.

### ◆ After operation of your RC model

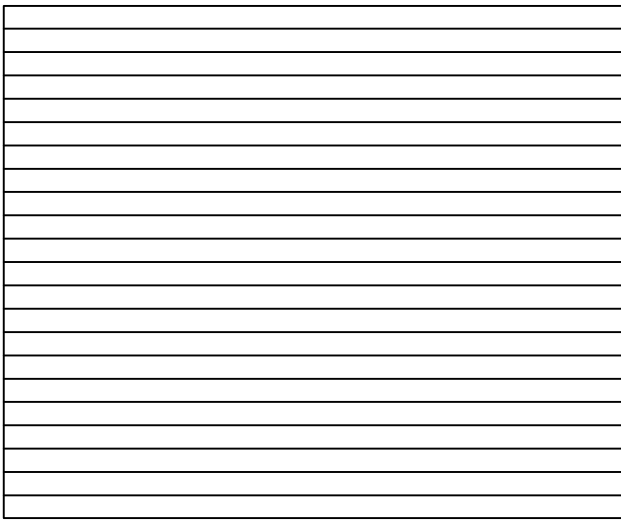
- 3.1 Turn off receiver first, then turn off transmitter, this will prevent runaways.
- 3.2 Be careful when handling batteries, they will be hot after running.
- 3.3 Replace any batteries that have been dented or have frayed wires, short circuits can cause fire.

## ACCESSORY

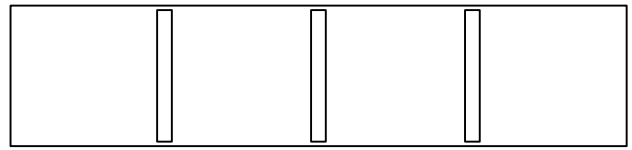


74014 X2

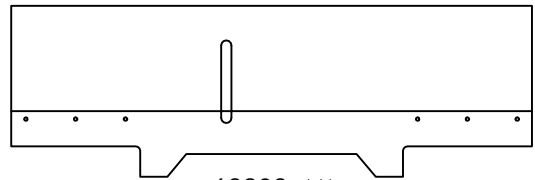
PLANK



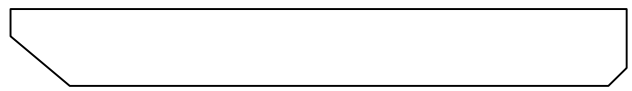
63801 X1



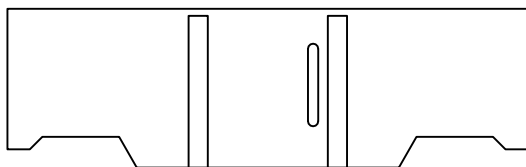
63802 X2



63803 X1

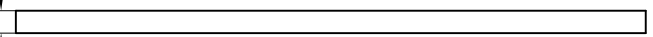


63805 X2



63804 X1

10mm

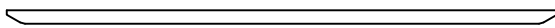


63806 X2

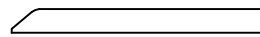


63807 X2

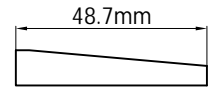
6.5mm



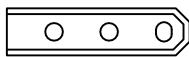
63808 X2



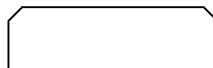
63809 X4



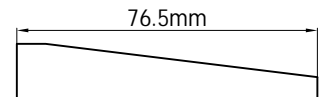
63810 X10



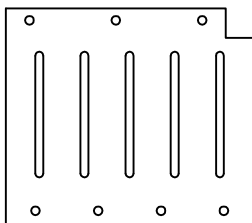
63811 X4



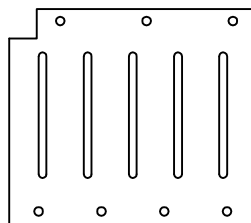
63812 X3



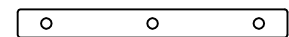
63813 X6



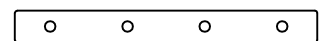
63814 X1



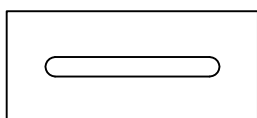
63815 X1



63816 X2



63817 X2

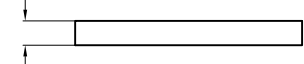


63818 X1

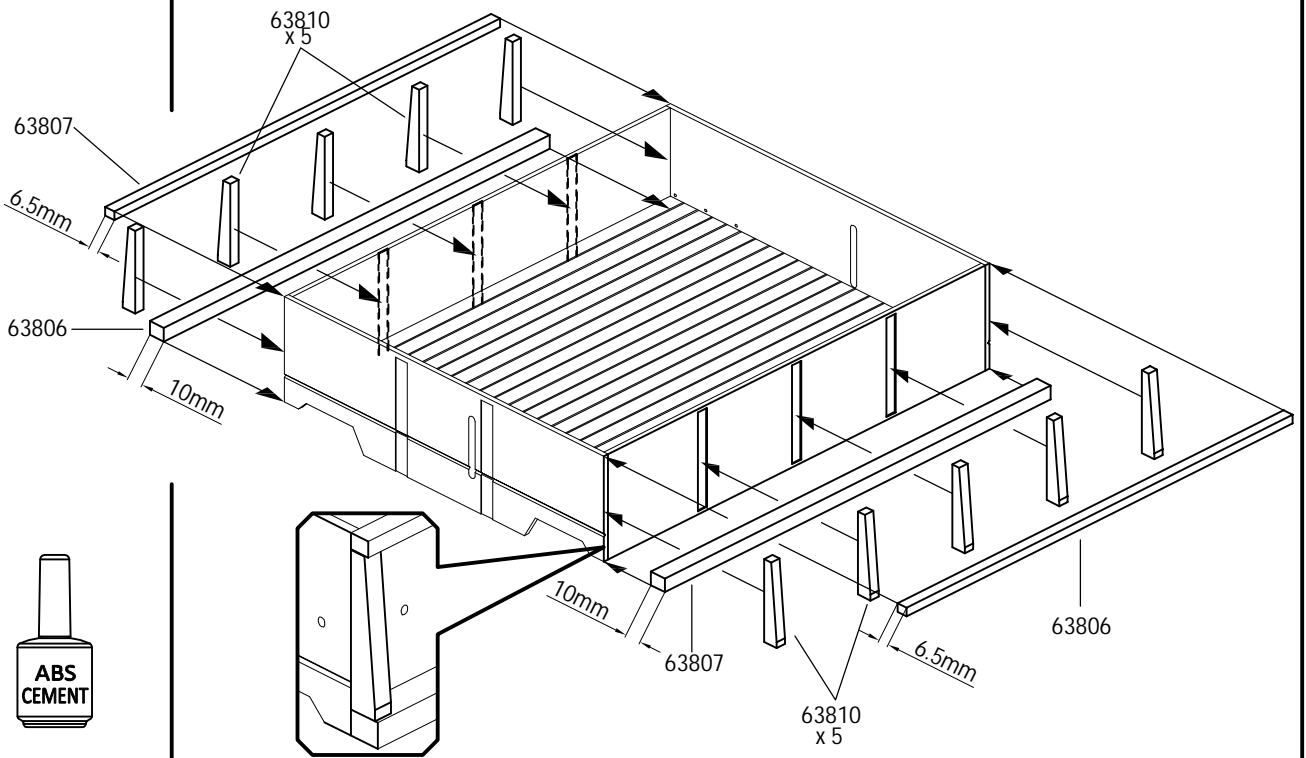
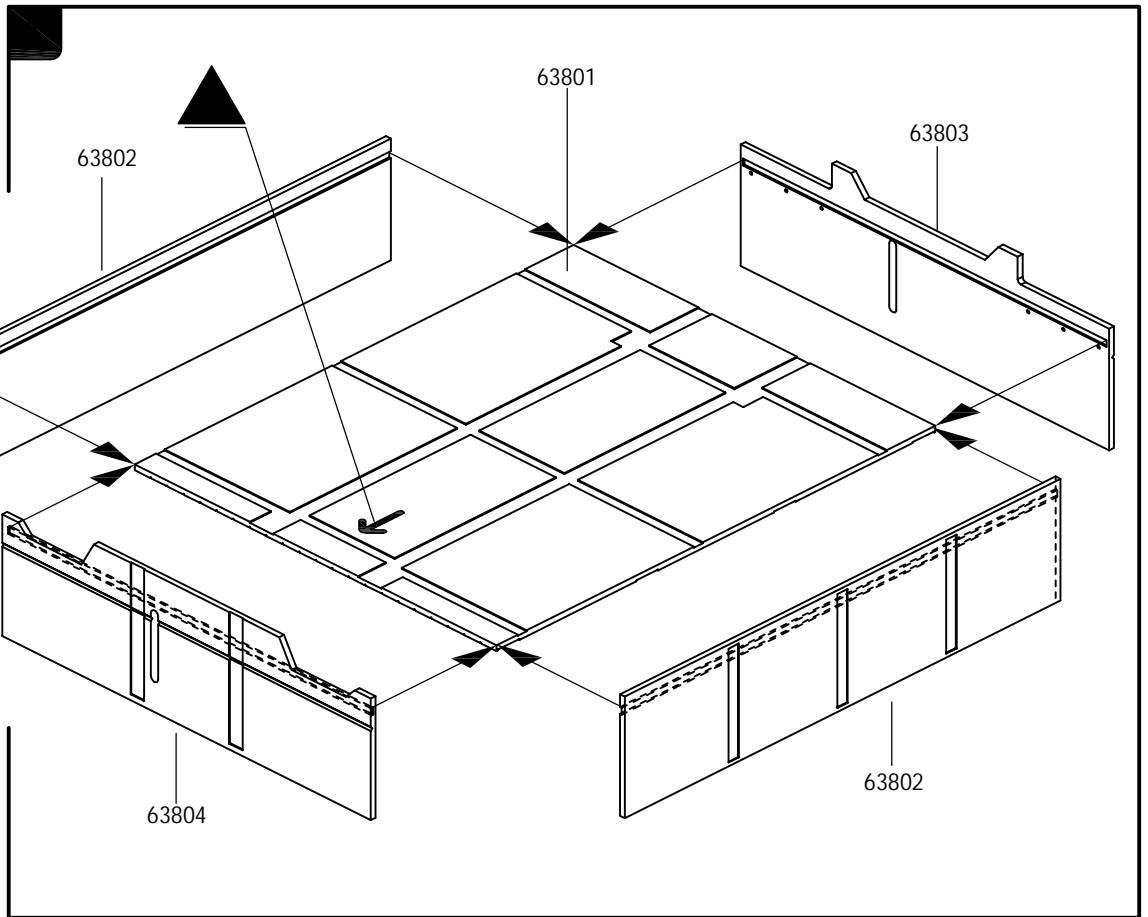
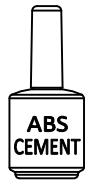


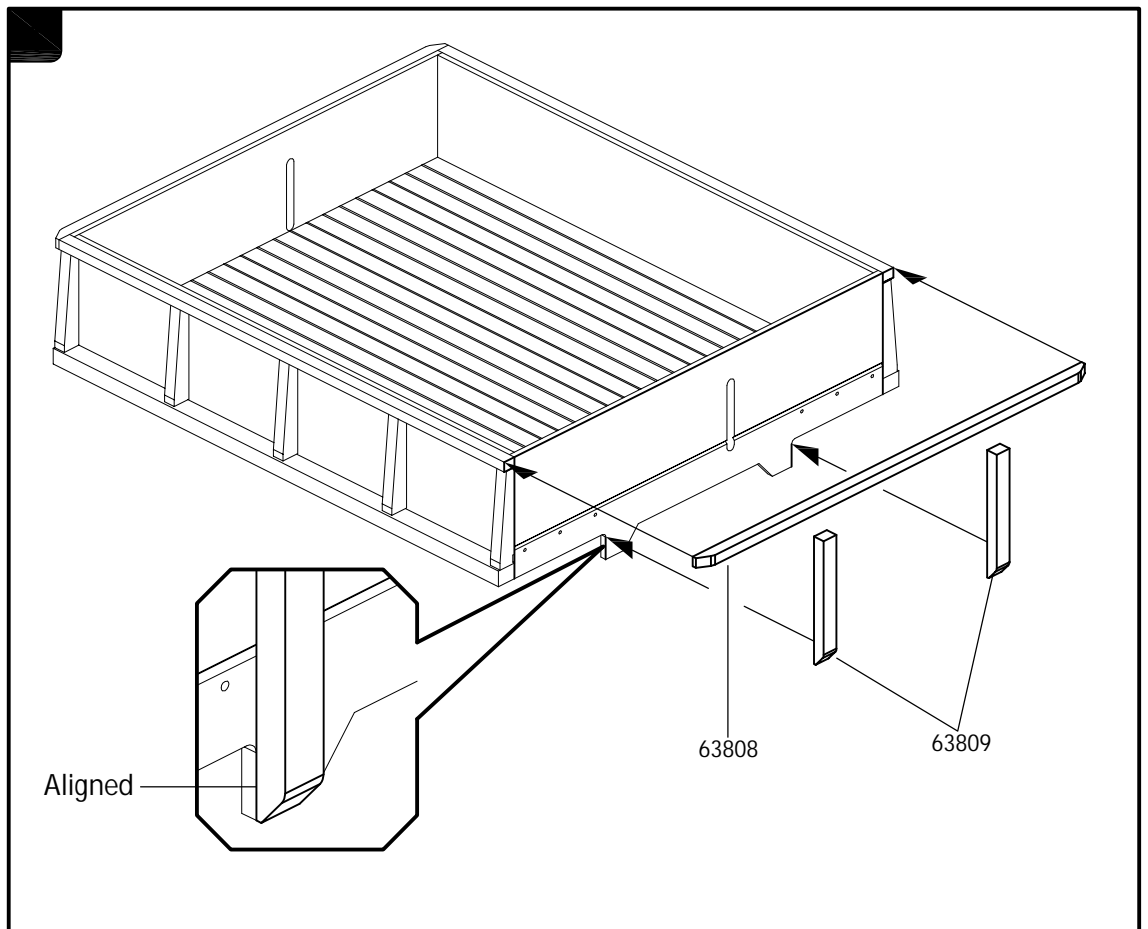
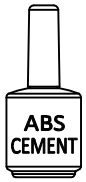
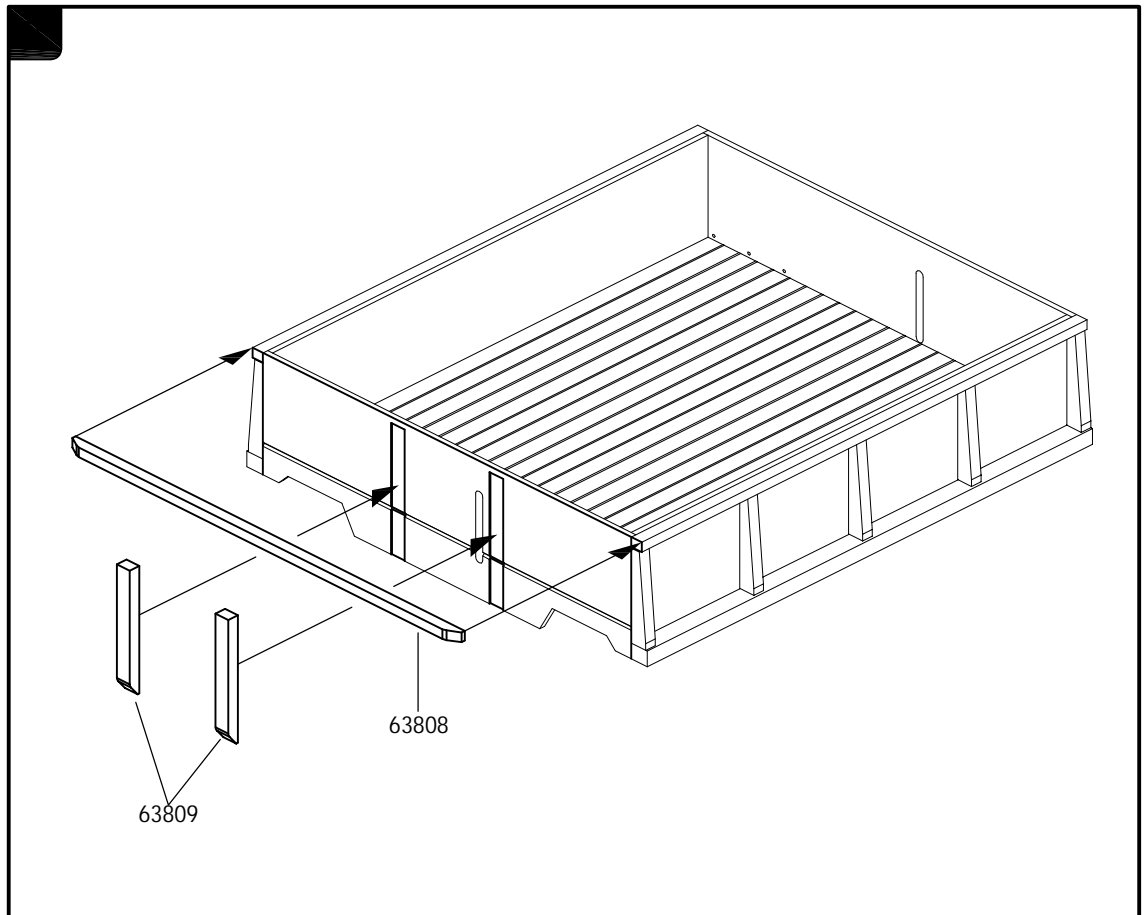
63819 X2

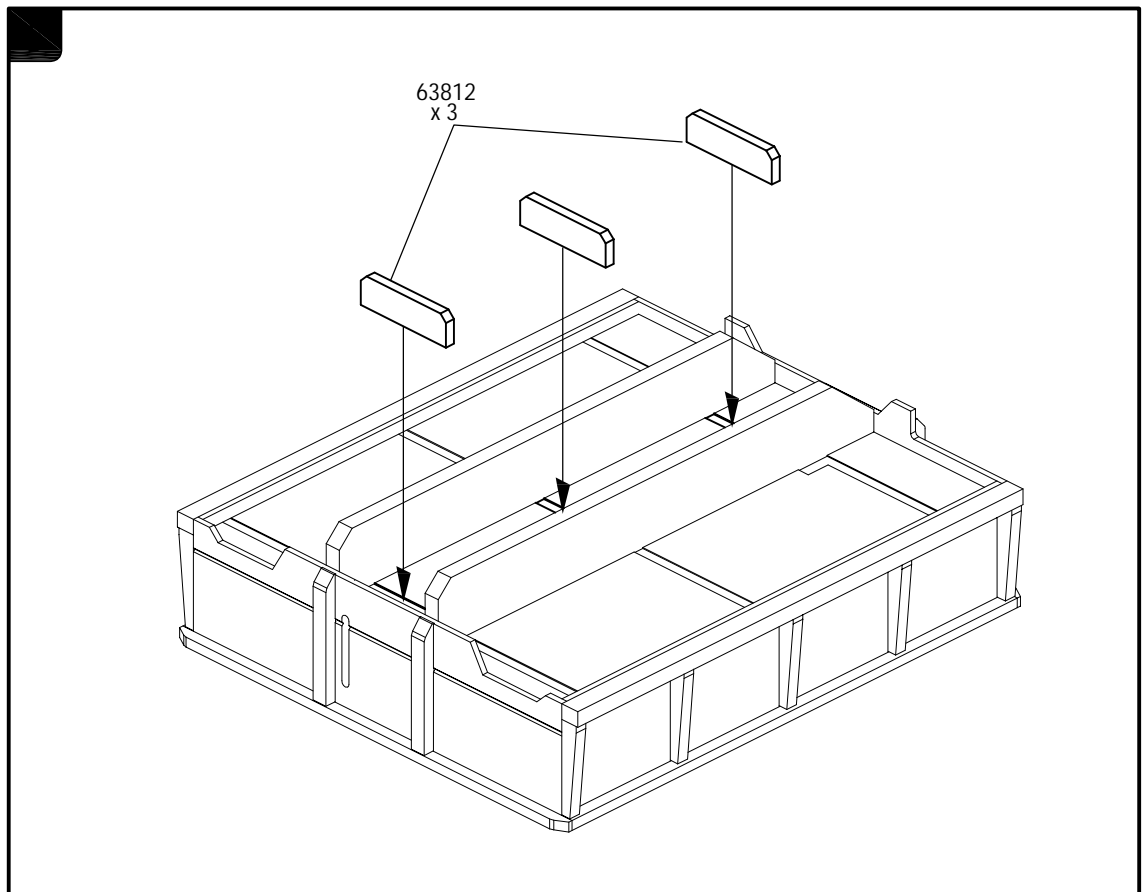
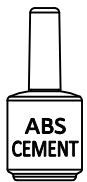
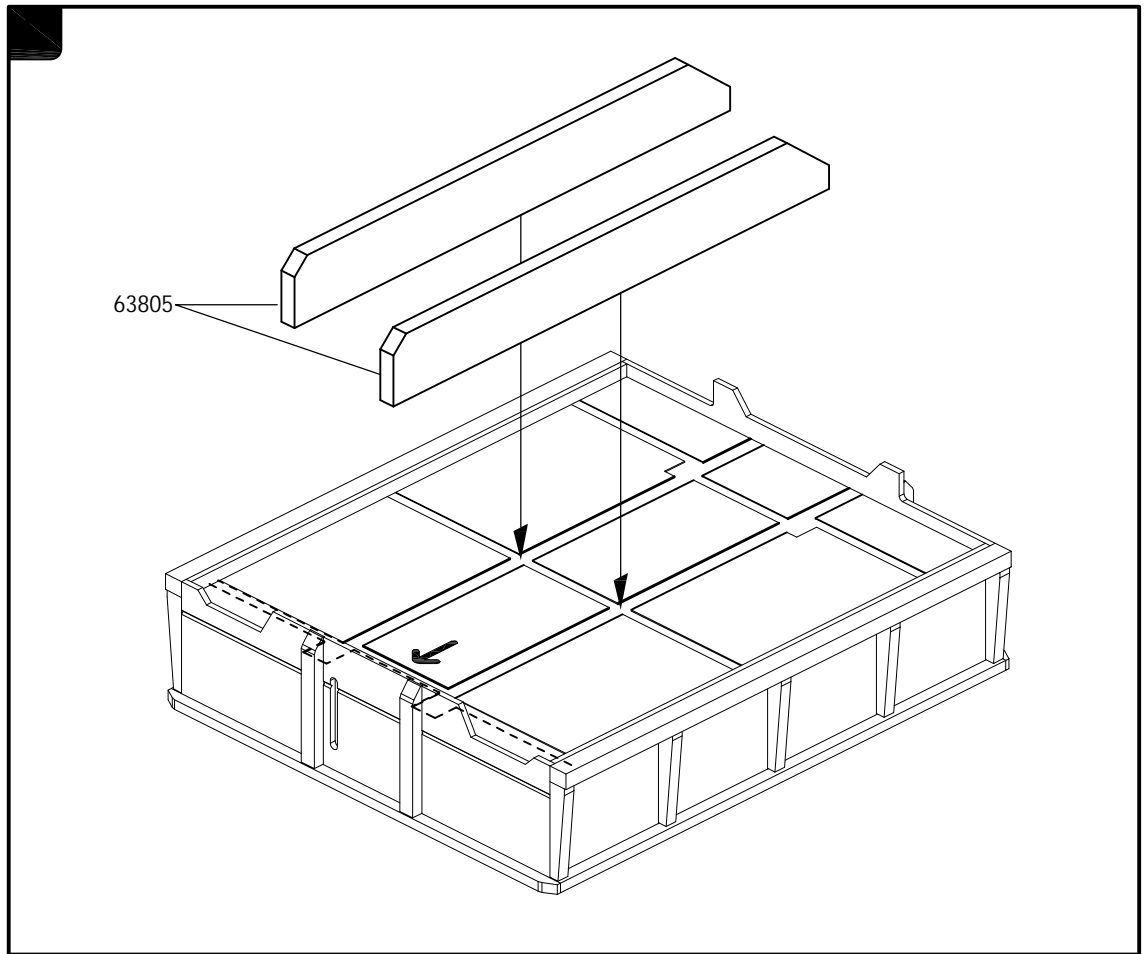
∅5

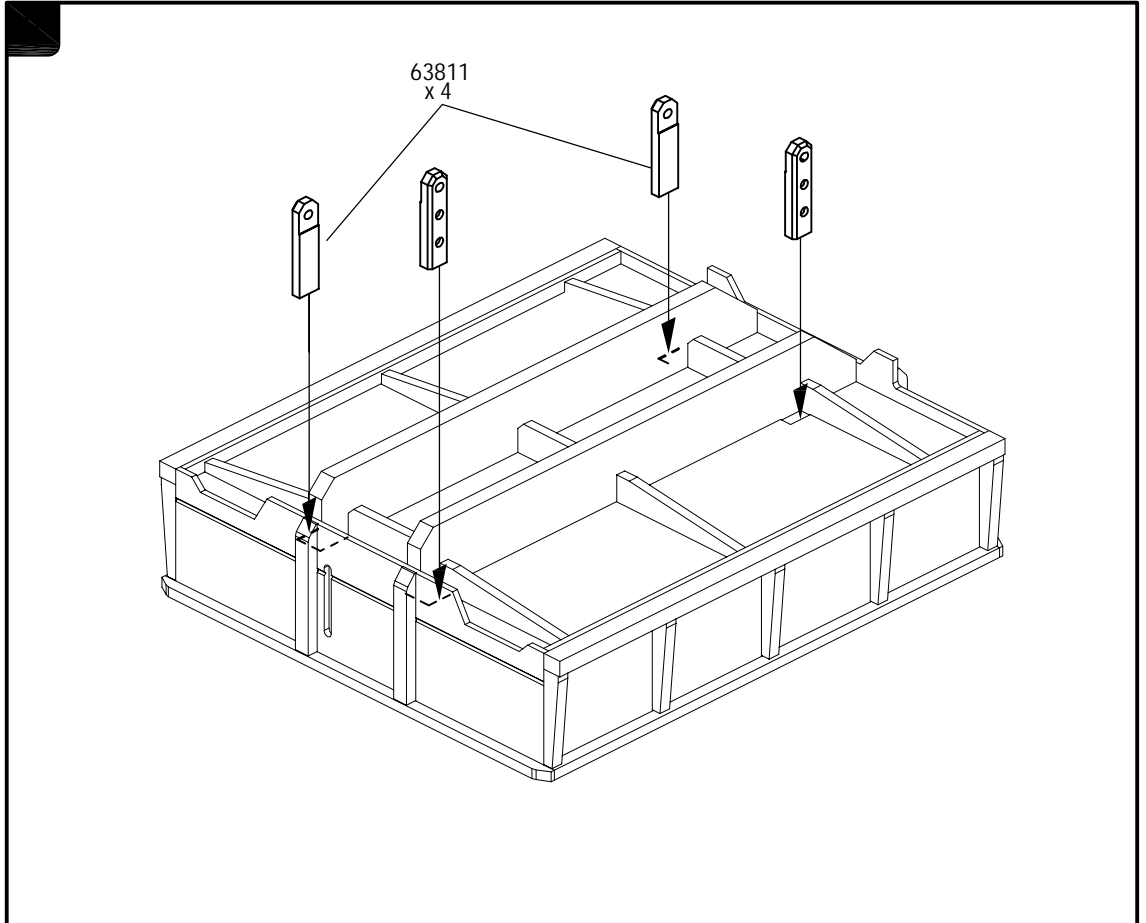
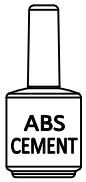
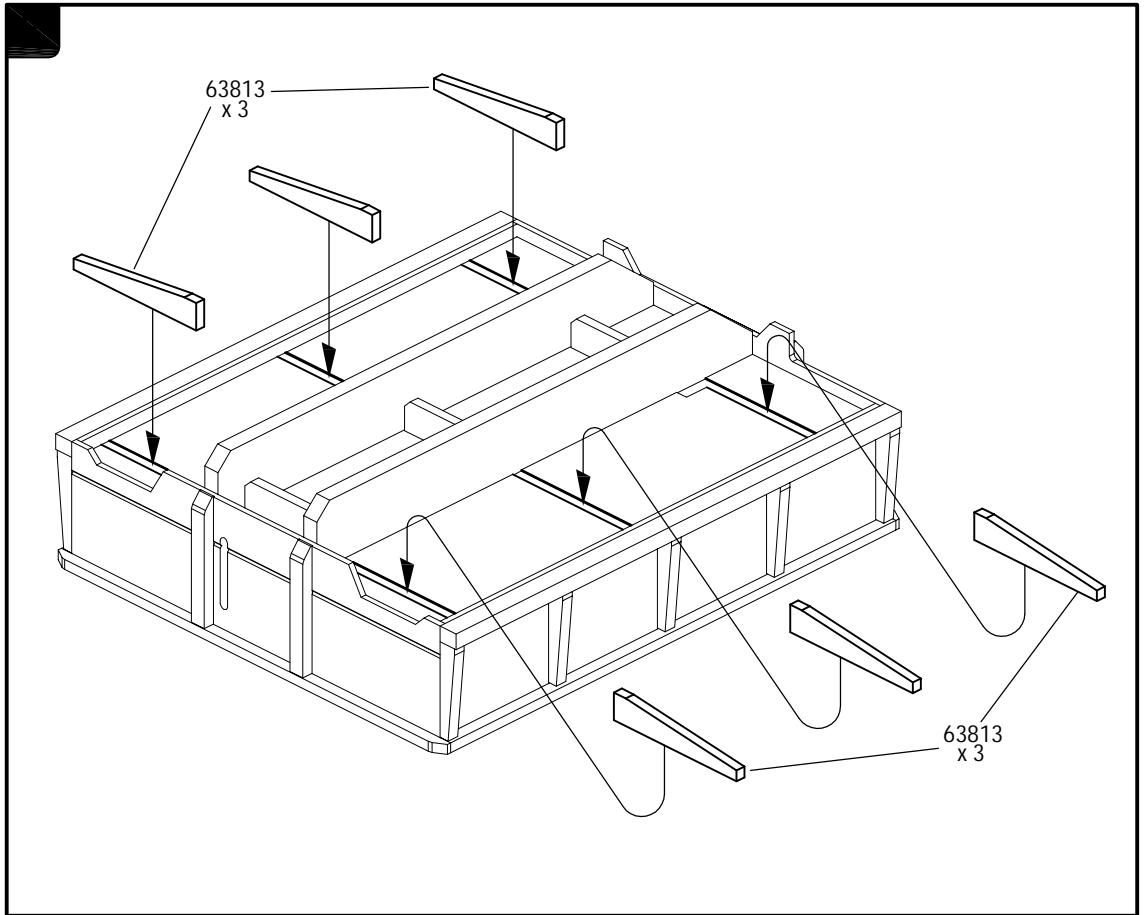


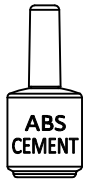
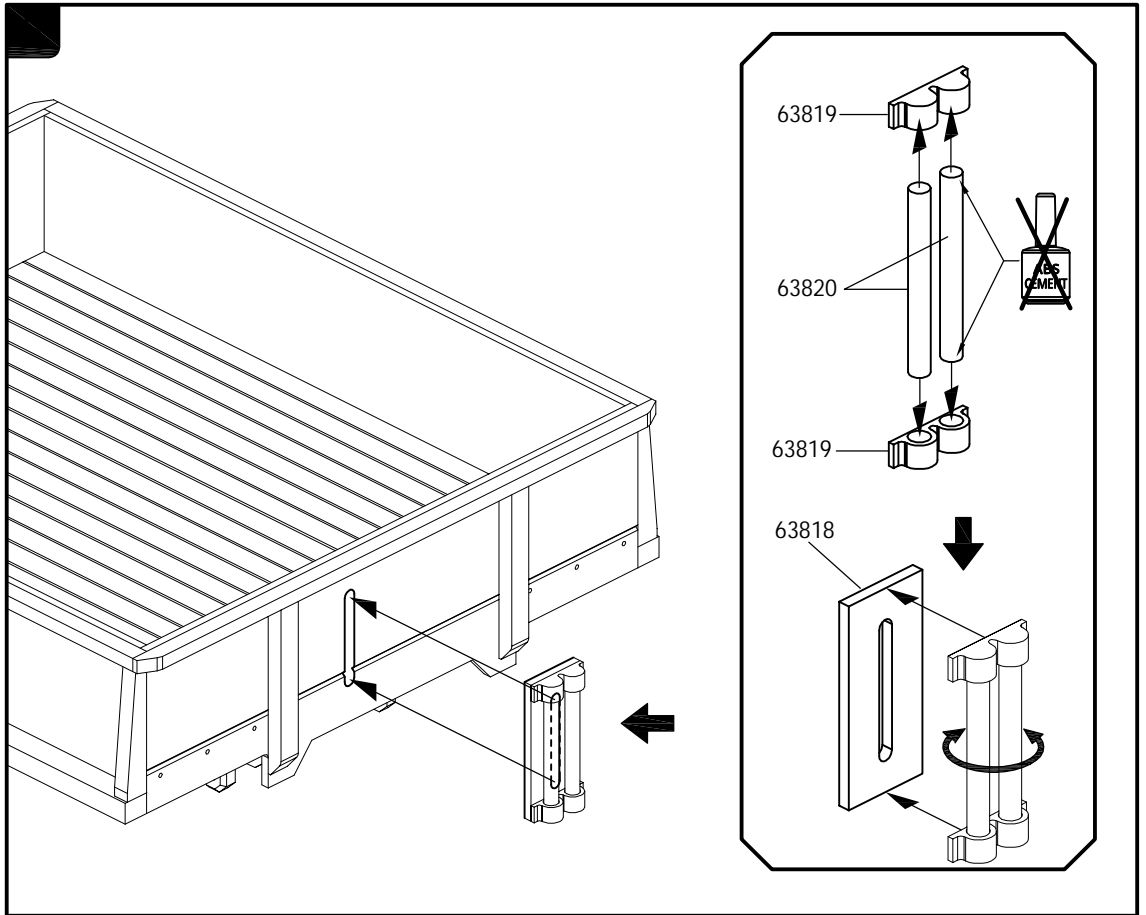
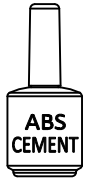
63820 X2




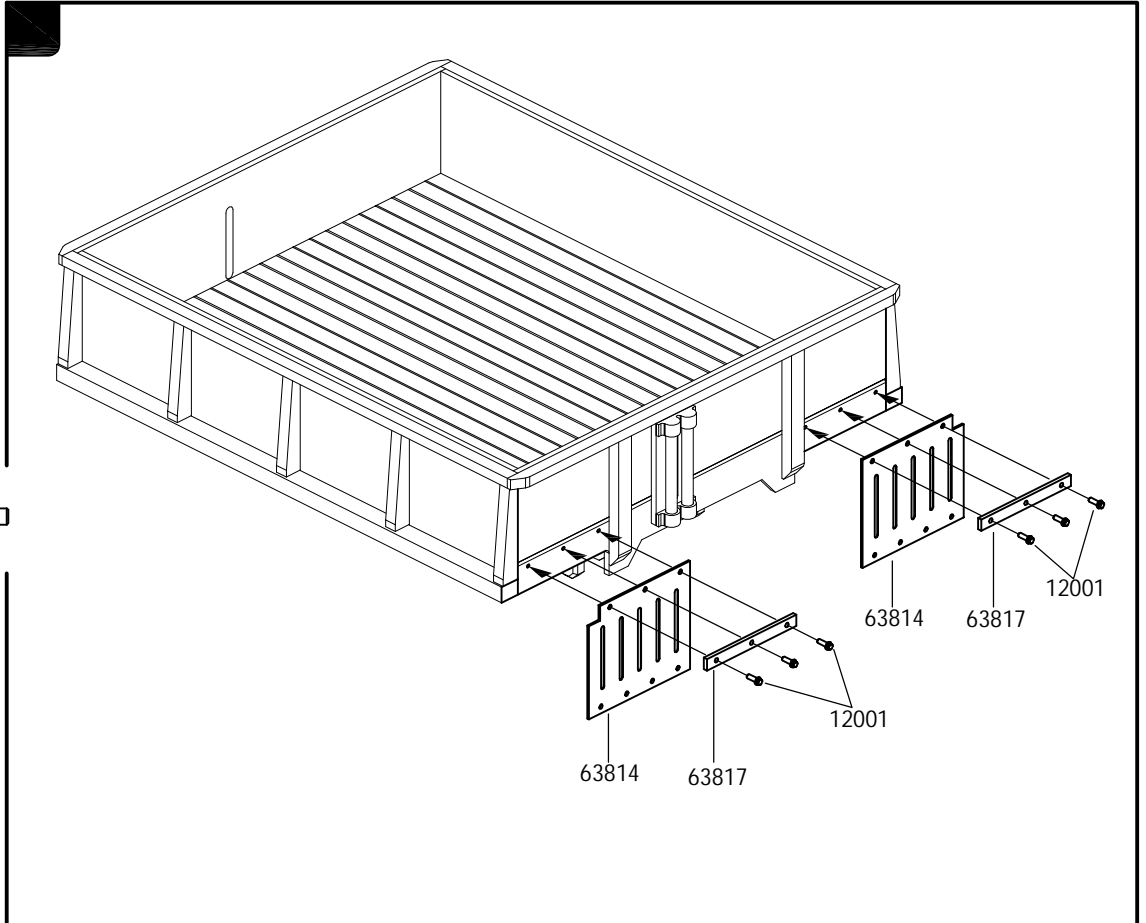




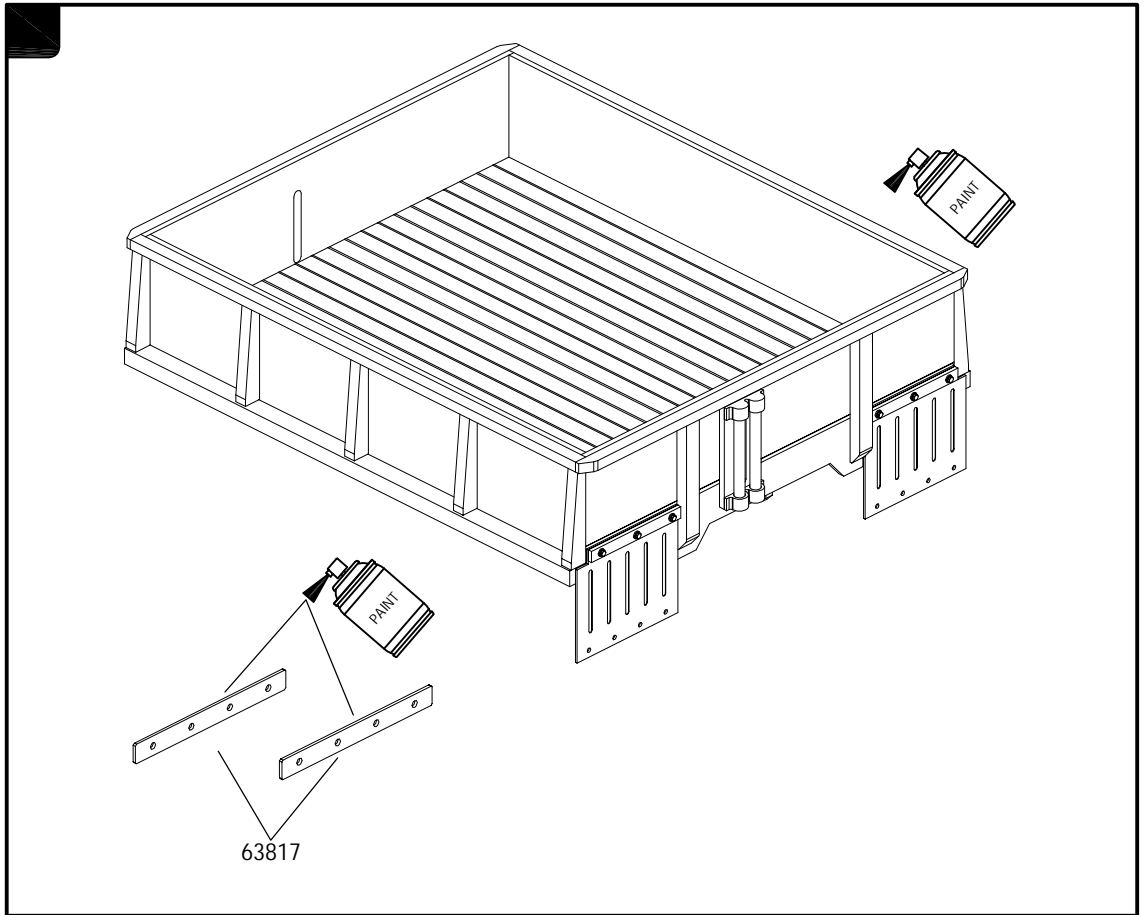





12001  M2x6 X6




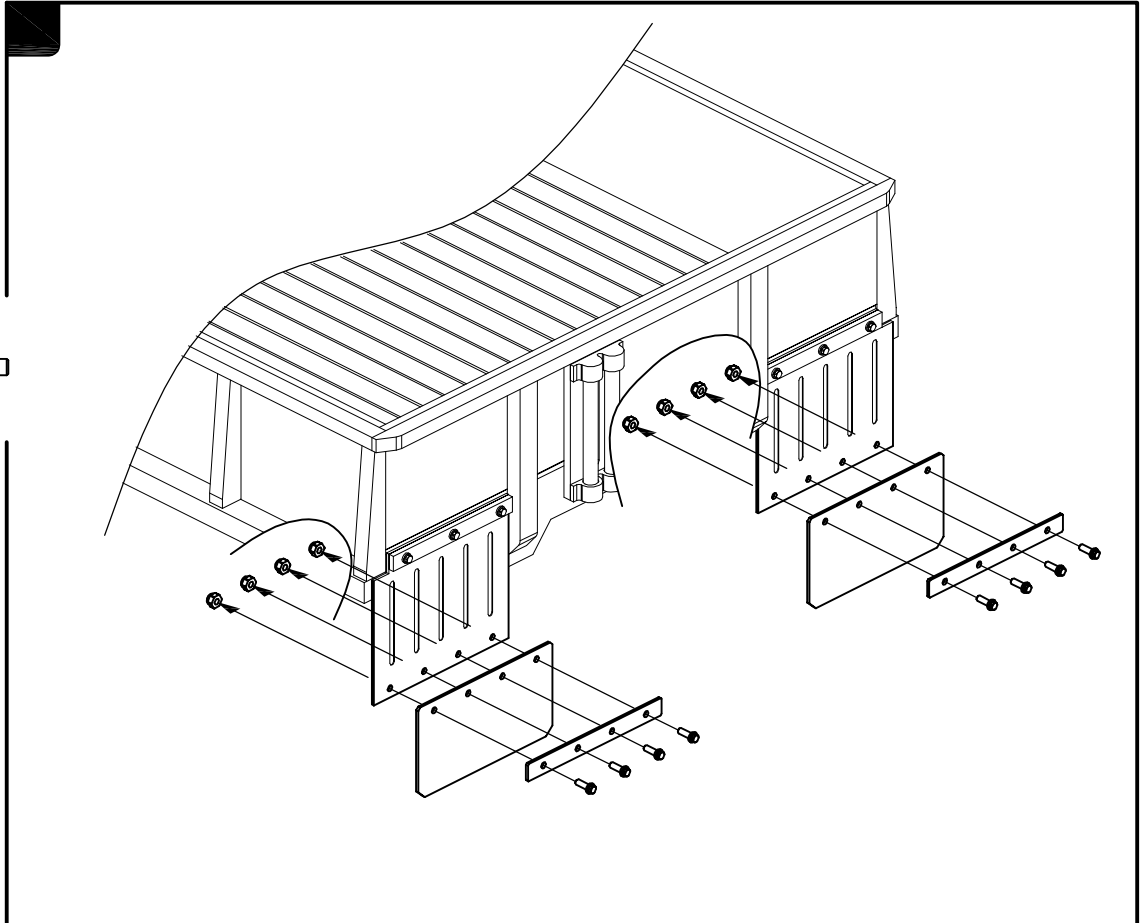






63817

12206   
M2 X8

12001   
M2x6 X8



11207   
M3x10 X4

14102   
Ø3xØ7x0.5 X4

