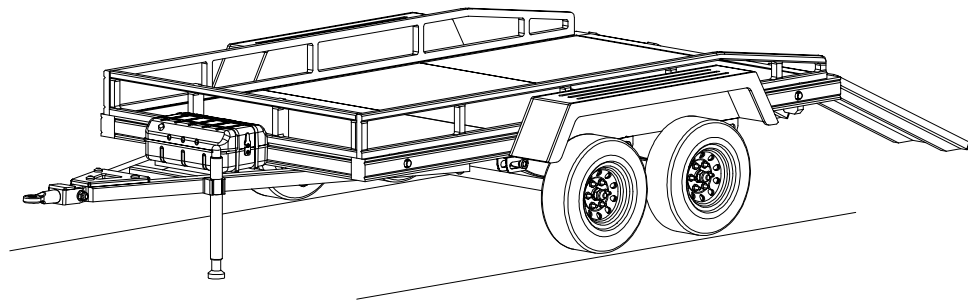



1/10 SCALE HEAVY DUTY  
FLATBED TRAILER

T006



*CROSSRC*

USER'S MANUAL

|                 |   |  |
|-----------------|---|--|
| <b>CAUTIONS</b> |  | <p>To prevent serious personal injury and/or property damage, operate all remotely controlled models in a responsible manner as outlined herein.</p> |
|-----------------|---|--|

◆ **Safety Precautions**

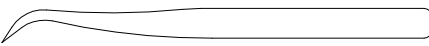
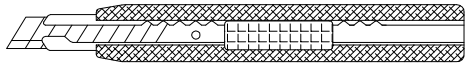
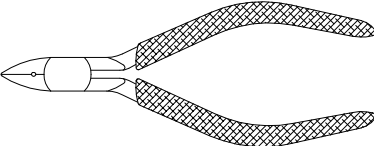
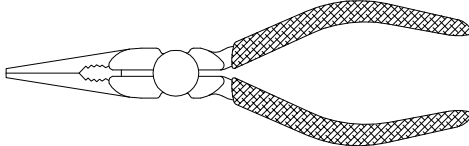
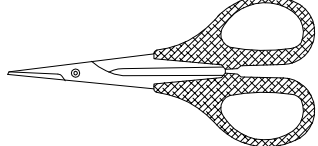
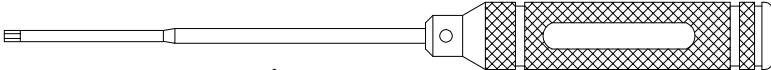
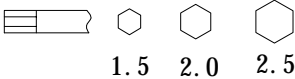
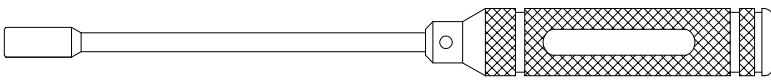



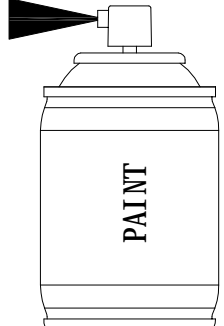
- 1.1 Choose a right place to operate your RC model.
- 1.2 Do not operate your RC model on the street or highway. It can cause a serious damage or a serious accident.
- 1.3 Never operate your RC model near people or animals.
- 1.4 Do not operate RC model in public places like hospital and residential areas.
- 1.5 Never operate RC model indoors. There is a higher possibility of fire or damage.
- 1.6 Keep the parts out of reach of children, small parts can cause choking and vinyl bags can suffocate.
- 1.7 Do not use with children younger than 14 years.

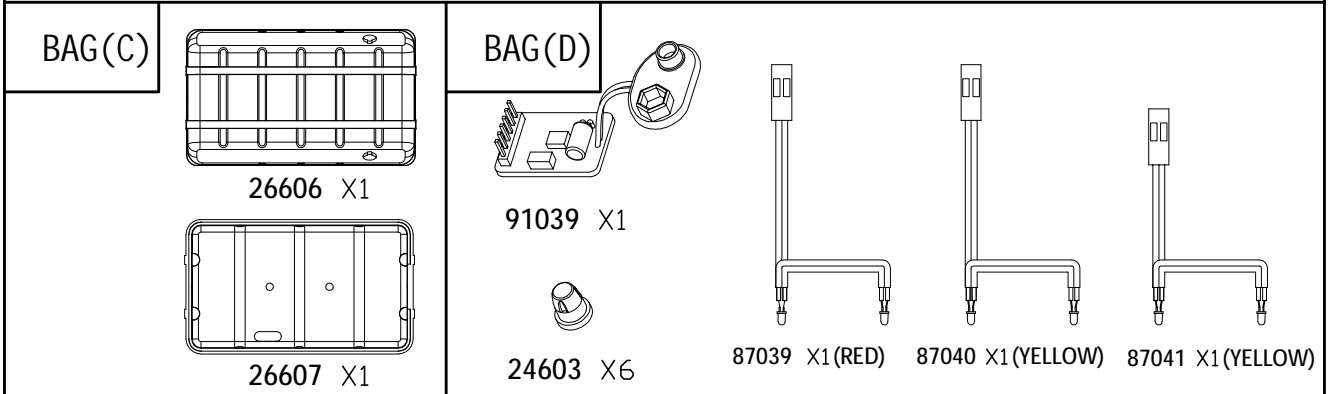
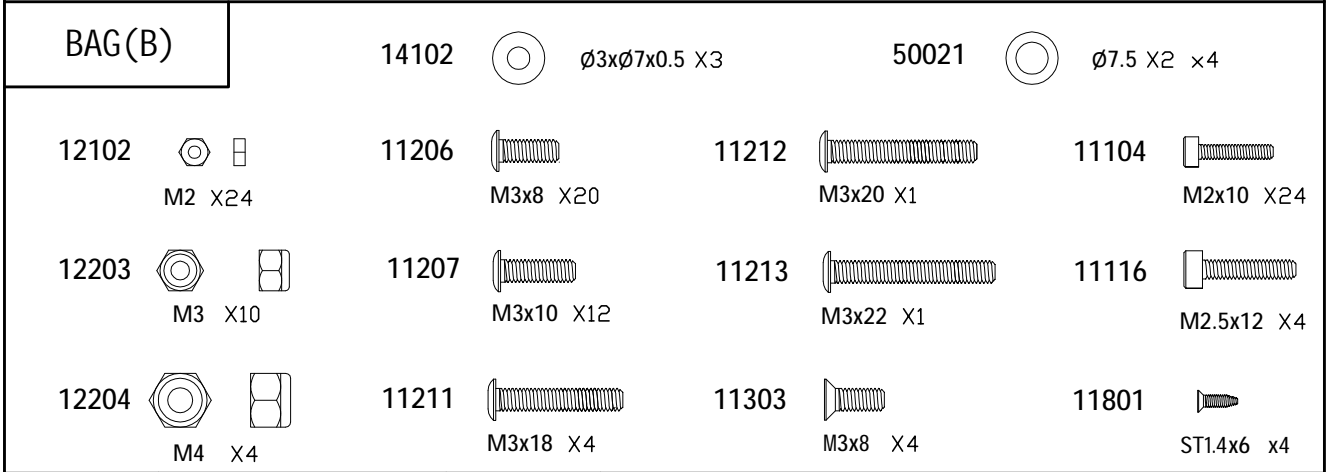
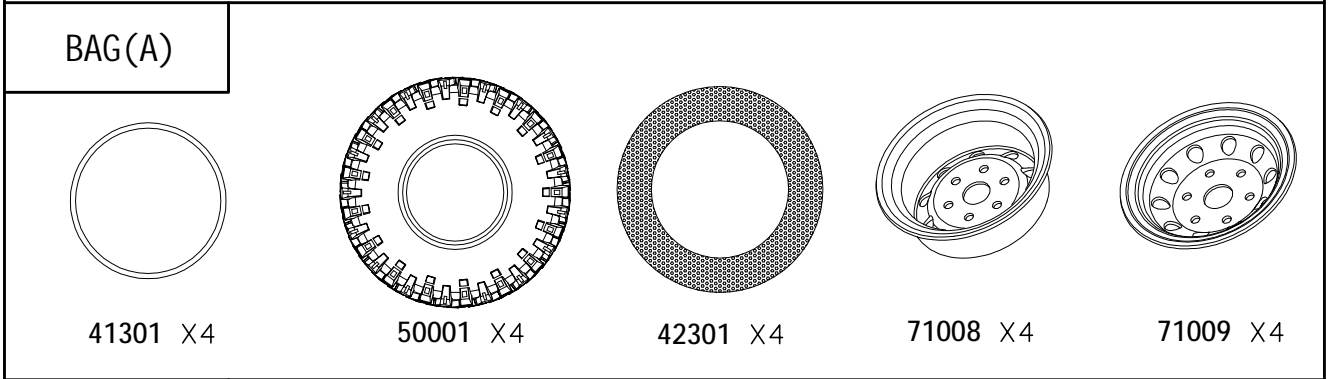
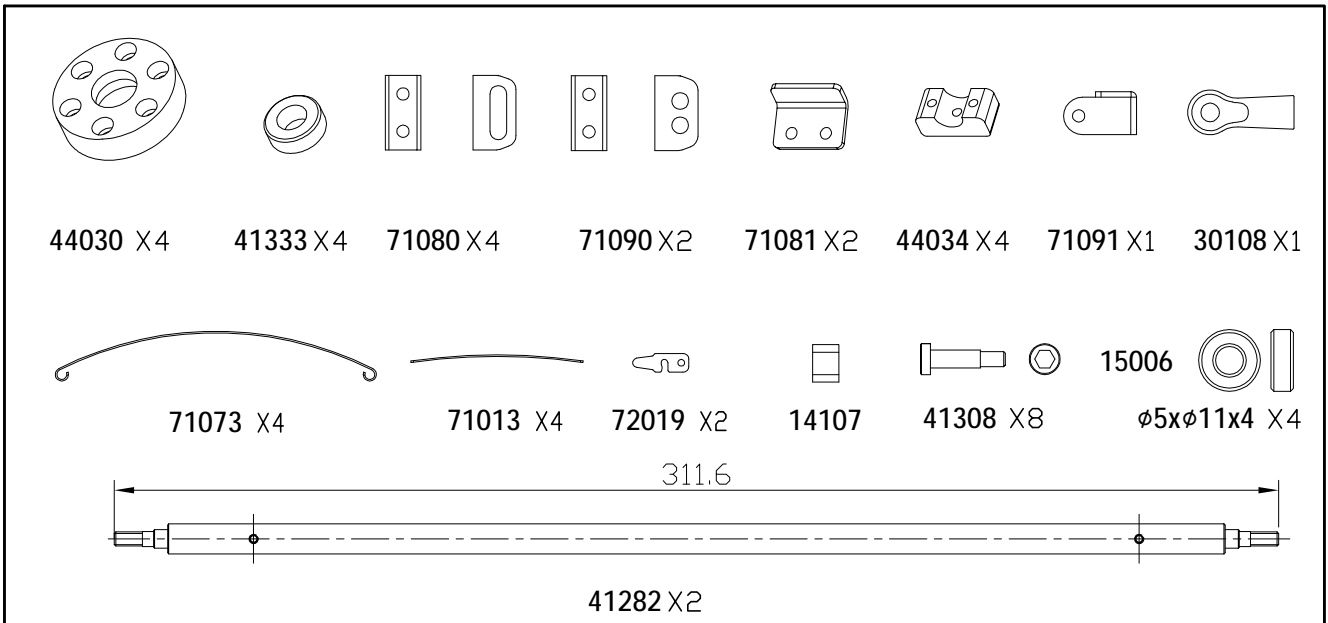
◆ **Inspect your RC model before operation**

- 2.1 Make sure that all screws and nuts are properly tightened. It is also a good idea to use romvable thread lock wherever metal screws go into metal, especially for engine mounts and the engine pilot shaft.
- 2.2 Always use fresh batteries for your transmitter and for your receiver to avoid losing control of the model.
- 2.3 Always test the brakes and throttle before starting your engine to avoid losing control of the model.
- 2.4 Always turn on the transmitter first, and then turn on the receiver.

◆ **After operation of your RC model**

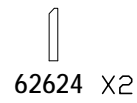
- 3.1 Turn off receiver first, then turn off transmitter, this will prevent runaways.
- 3.2 Be careful when handling batteries, they will be hot after running.
- 3.3 Replace any batteries that have been dented or have frayed wires, short circuits can cause fire.

|                                |  |   |   |
|--------------------------------|--|---|---|
| <b>TOOLS</b><br>(Not included) |   |   |   |
|                                |   |   |  |
|                                |   |   |   |
|                                |  <p style="text-align: center;">1.5    2.0    2.5</p> |   |   |
|                                |   |   |   |
|                                |  <p style="text-align: center;">4.0    5.5    7.0</p> |   |   |
|                                |    |  |  |

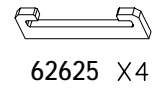




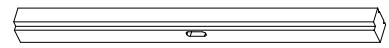
62601 X1



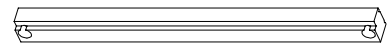
62624 X2



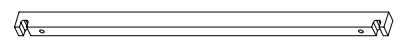
62625 X4



62604 X1



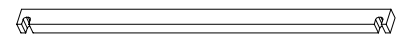
62605 X1



62606 X1



62602 X1



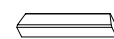
62607 X2



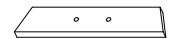
62603 X1



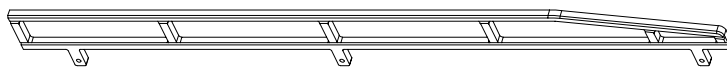
62612 X1



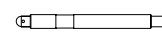
62613 X1



62614 X1



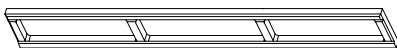
62621 X1



62029X1



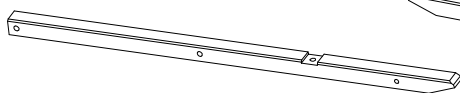
75002X1



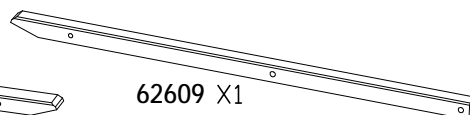
62623 X1



62622 X1



62608 X1



62609 X1



62610 X1



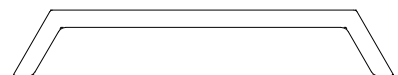
62611 X1



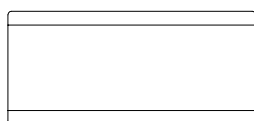
62626 X2



62627 X2



62628 X2



62615 X2



62616 X4



62617 X2



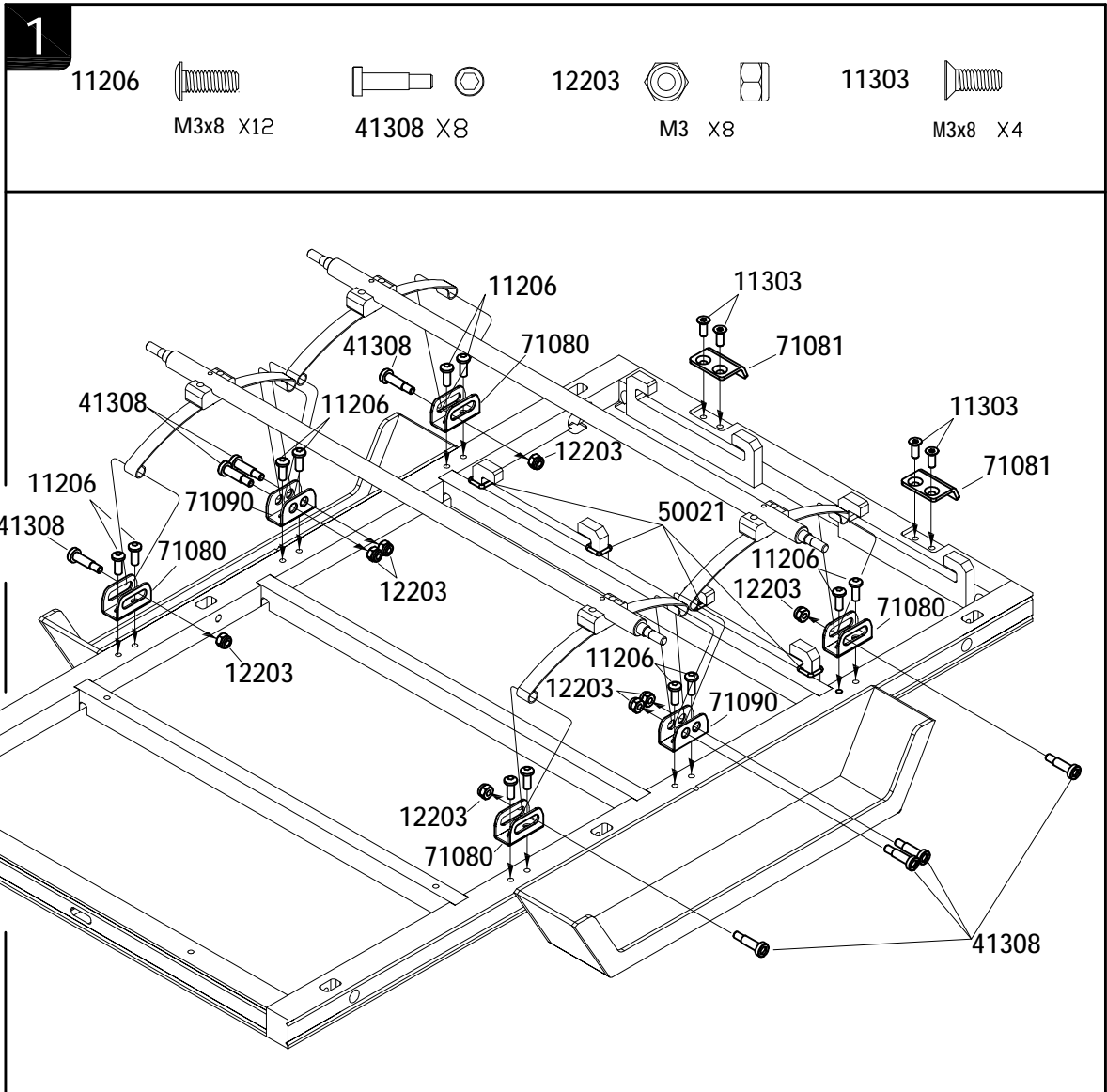
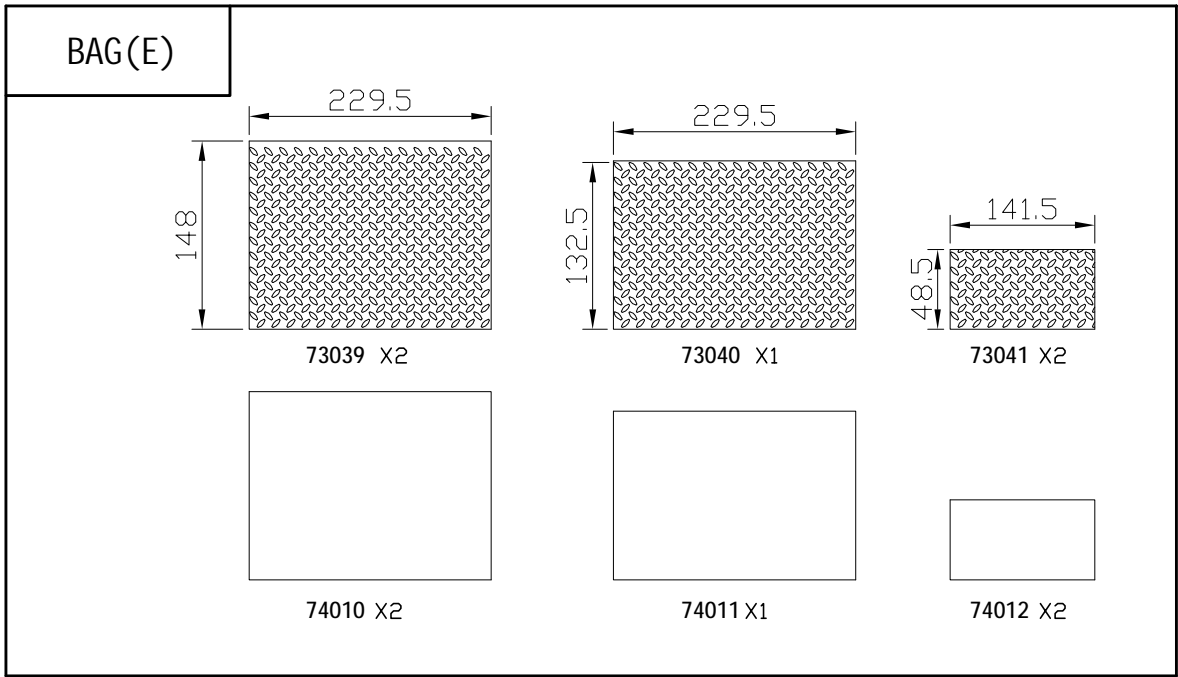
62618 X1




62619 X1

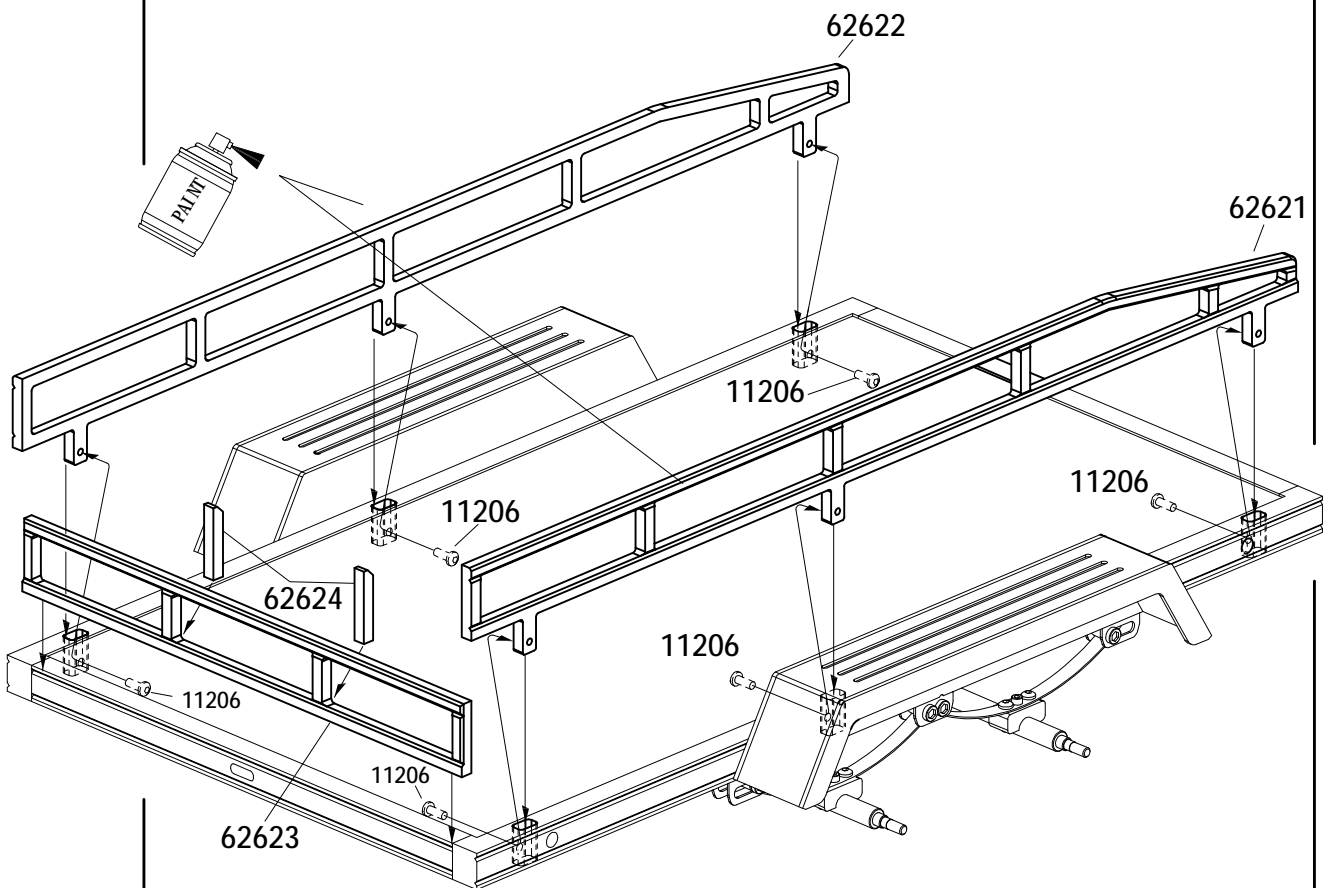


62620 X1







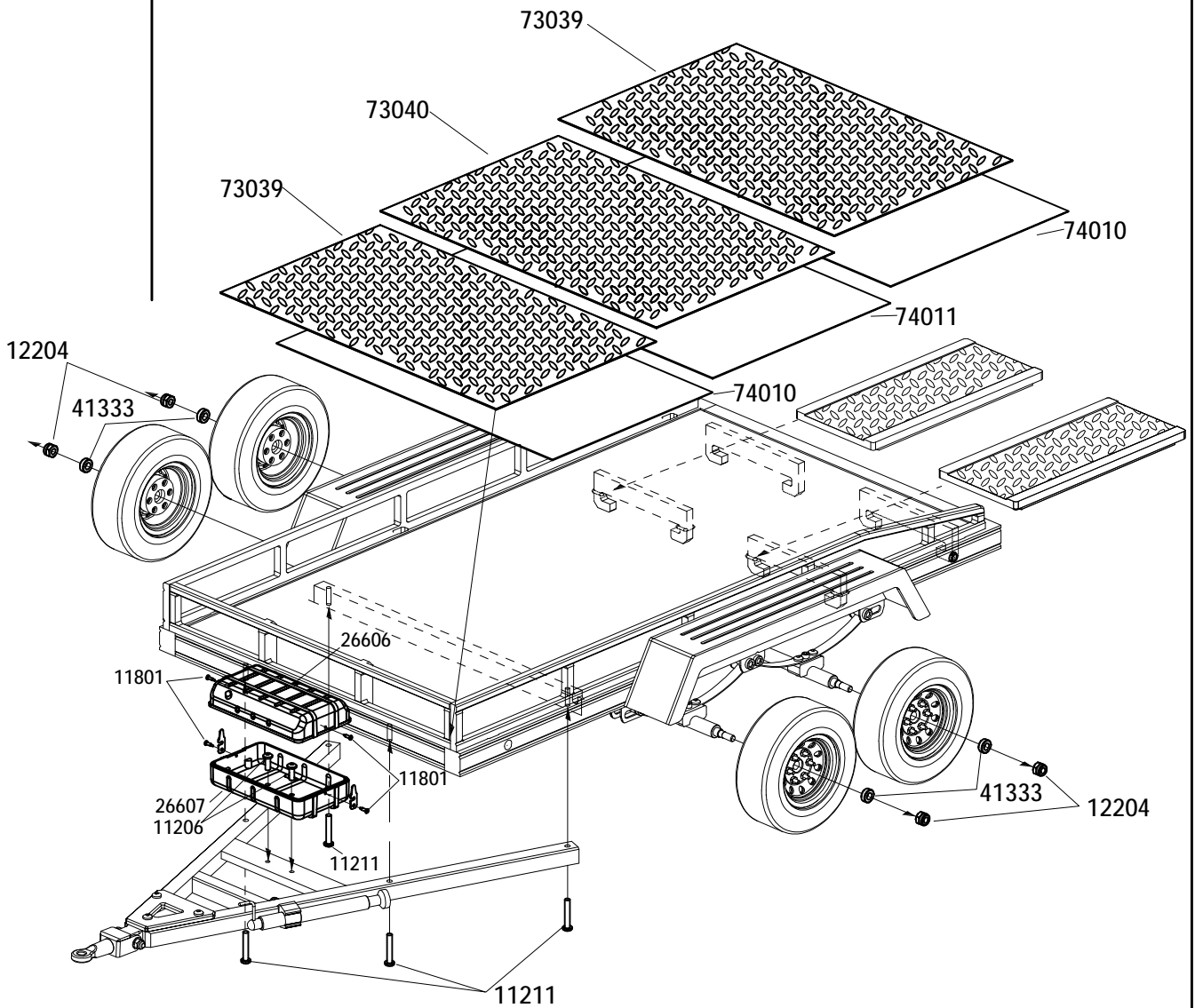
2

11206   
M3x8 X6

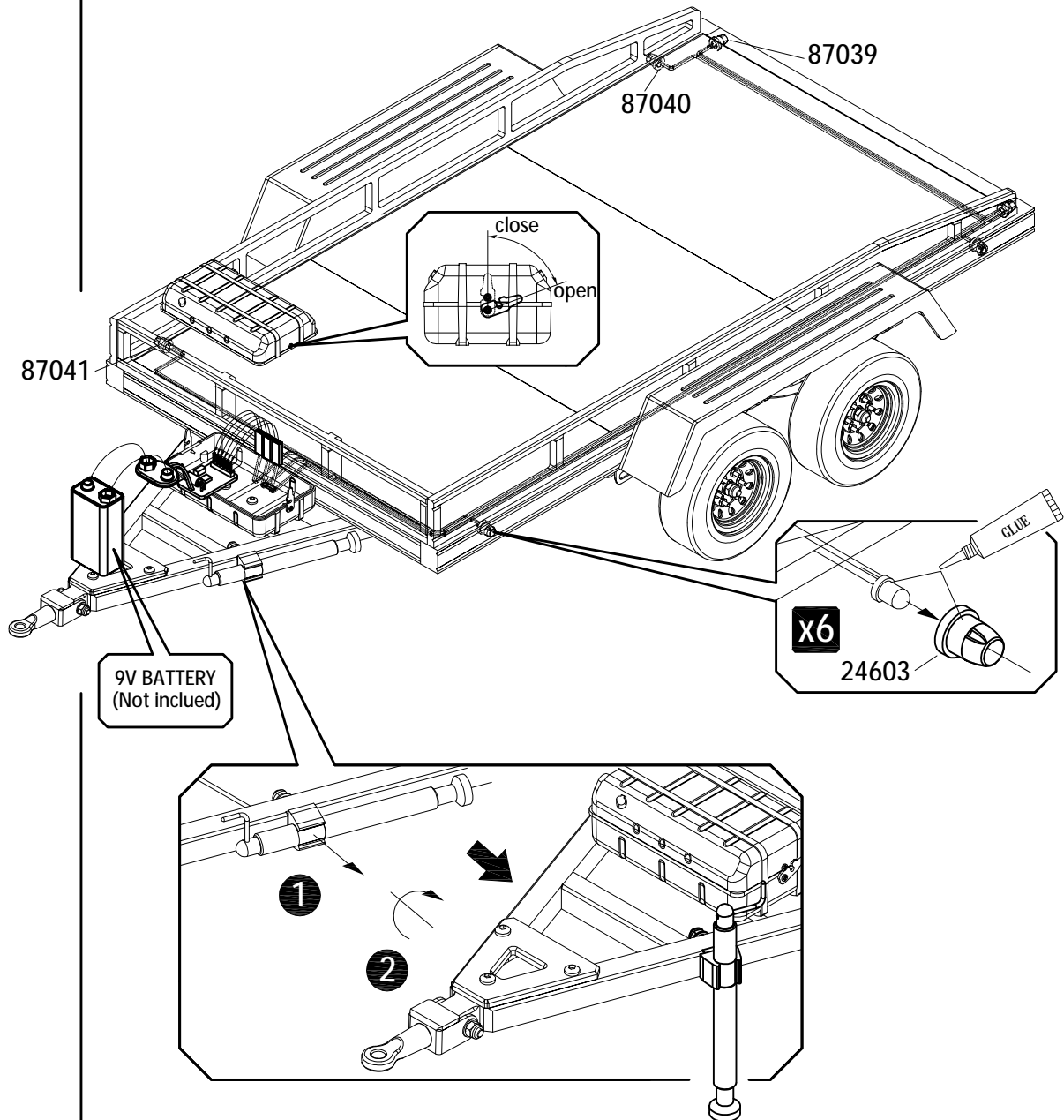


3

- 11211  M3x18 X4
- 11206  M3x8 X2
- 12204  M4 X4
- 
- 11801  ST1.4x6 X4

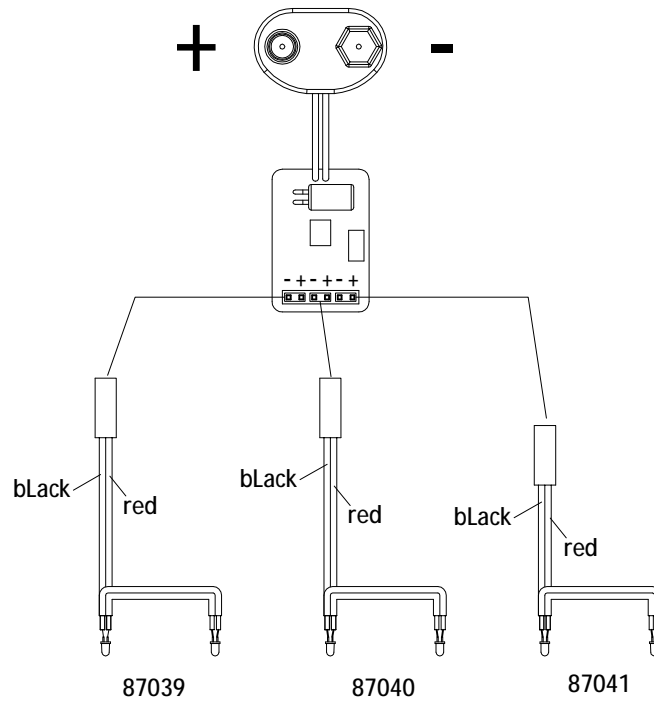


4

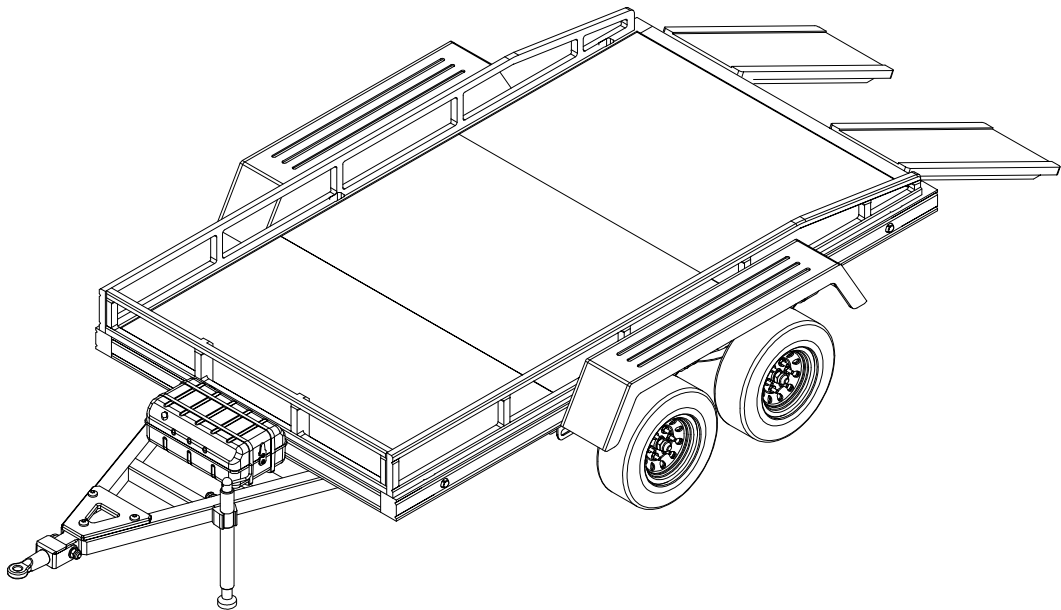




5



6



[WWW.CROSS-RC.COM](http://WWW.CROSS-RC.COM)